

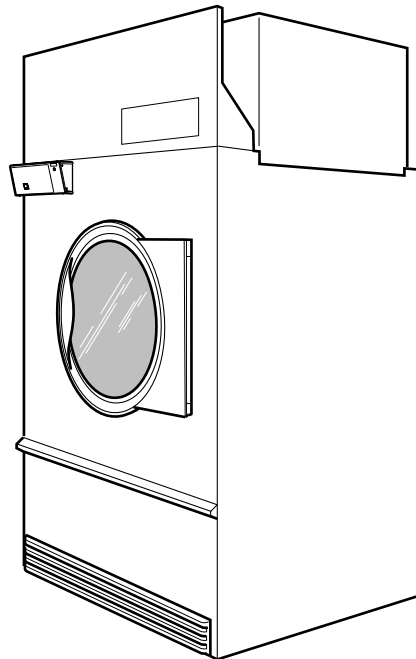
Drying Tumblers

120 Pound Capacity

170 Pound Capacity

Models Through Serial No. 0907000048

Refer to Page 5 for Model Numbers



TMB1268C_70399801

Table of Contents

Title	Page
Parts Ordering Information.....	3
Nameplate Location	3
Model Identification	5
Product Overview - Heat Source and Voltage	6
Product Overview - Control Suffixes (Drawing 1 of 2).....	8
Product Overview - Control Suffixes (Drawing 2 of 2).....	10
Exterior Control Box - RT Control Suffix (Drawing 1 of 2).....	12
Exterior Control Box - RT Control Suffix (Drawing 2 of 2).....	14
Exterior Control Box - RM Control Suffix.....	16
Exterior Control Box - RQ Control Suffix (Drawing 1 of 2)	18
Exterior Control Box - RQ Control Suffix (Drawing 2 of 2)	20
Interior Control Box - RM and RT Control Suffixes	22
Interior Control Box - RQ Control Suffix	24
DMP Control Box - C and I Models with RD Control Suffix.....	26
DX4 Control Box - D Models with R3 Control Suffix	28
Emergency Stop Button - CE Models	30
Fire Suppression System Control Box	32
Cabinet Front Components (Drawing 1 of 2)	34
Cabinet Front Components (Drawing 2 of 2)	36
Door and Hinge Components - A, G, H, K, L, P, S, U, W, X and Y Models.....	38
Door and Hinge Components - C, D and I Models	40
Lint Panel Components.....	42
Lint Panel Switch Assembly.....	44
Lint Screen and Drive Guard - 120 Pound Models	46
Lint Screen and Drive Guard - 170 Pound Models	48
Cylinder and Trunnion Assembly	50
Trunnion Bearings.....	52
Drive Sheave, Step Pulley and Belts	54
Cylinder Drive Motor	56
Fan Assembly - 120 Pound 50 Hertz Models	58
Fan Motor Assembly - 120 Pound 50 Hertz Models	60
Fan and Fan Motor Assembly - 120 Pound 60 Hertz Models	62
Fan Assembly - 170 Pound Models	64
Fan Motor Assembly - 170 Pound Models.....	66
Airflow Switch Assembly	68
Gas Heater Components - 120 Pound Models	70
Gas Heater Components - Non-CE 170 Pound Models	72
Gas Heater Components - CE 170 Pound Models (Drawing 1 of 2).....	74
Gas Heater Components - CE 170 Pound Models (Drawing 2 of 2).....	76
Burner Orifices	78
Steam Heater Components - 120 Pound Models Through Serial No. 0412012320 Except C, D, I and L Models .	80

© Copyright 2013, Alliance Laundry Systems LLC

All rights reserved. No part of the contents of this book may be reproduced or transmitted in any form or by any means without the expressed written consent of the publisher.

Steam Heater Components - 120 Pound Models Starting Serial No. 0412012321 Except C, D, and I Models	82
Steam Heater Components - 120 Pound C, D and I Models	84
Steam Heater Components - 170 Pound Models Through Serial No. 0412012320 Except C, D, I and L Models .	86
Steam Heater Components - 170 Pound Models Starting Serial No. 0412012321 Except C, D and I Models	88
Steam Heater Components - 170 Pound C, D and I Models	90
Steam Solenoid Valve.....	92
Rotation Sensor - C, D and I Models	94
Contactactor Box Assembly (Drawing 1 of 2)	96
Contactactor Box Assembly (Drawing 2 of 2)	98
Junction Box Assembly	100
Junction Box Harnesses	102
Parts Index.....	105

Parts Ordering Information

If literature or replacement parts are required, contact the source from whom the machine was purchased or contact Alliance Laundry Systems at (920) 748-3950 for the name and address of the nearest authorized parts distributor.

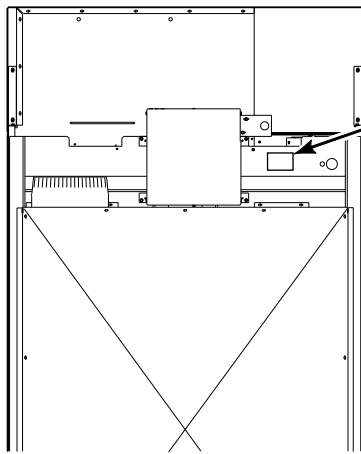
For technical assistance, call either of the numbers listed below:

(920) 748-3121 Ripon, Wisconsin

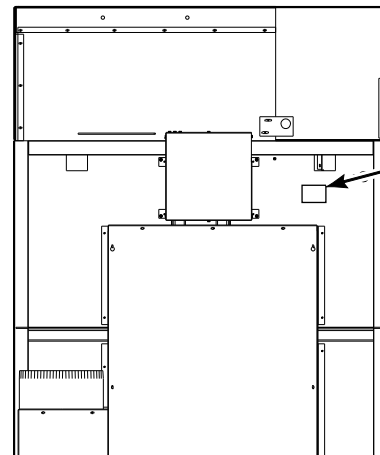
+32 56 41 20 54 Wevelgem, Belgium

Nameplate Location

When calling or writing about your product, be sure to mention model and serial numbers. Model and serial numbers are located on nameplate(s) as shown.



120 Pound



170 Pound

TMB2372P_70399801

Model Identification

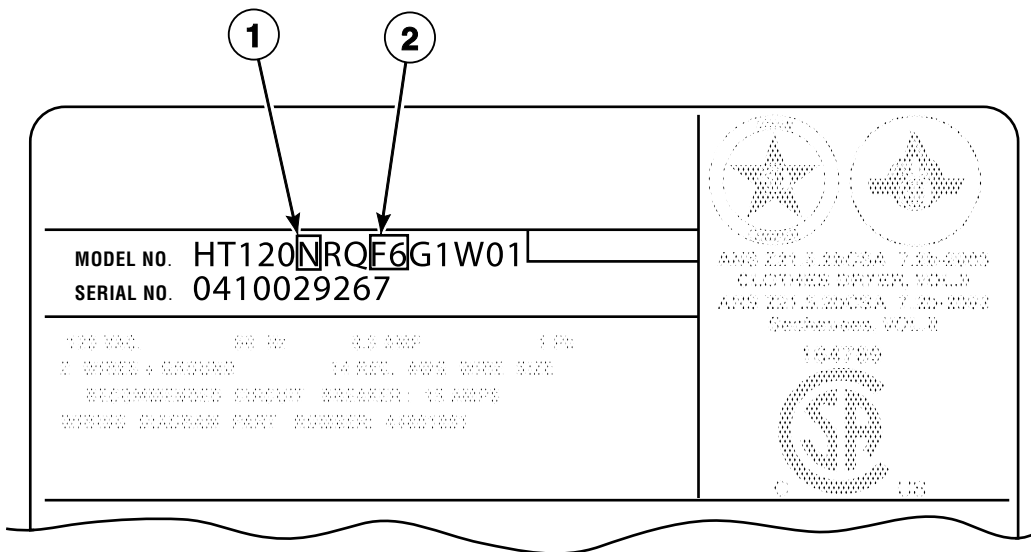
Information in this manual is applicable to these tumbler models:

DR120G2-BA120L	CU120L	HT170L	KU120L	PU120L	UU120L
DR120G2-BA120N	CU120N	HT170N	KU120N	PU120N	UU120N
DR120G2-BT120L	CU120S	HT170S	KU120S	PU120S	UU120S
DR120G2-BT120N	CU120T	HT170T	KU120T	PU120T	UU120T
DR120G2-BU120L	CU170L	HU120L	KU170L	PU170L	UU170L
DR120G2-BU120N	CU170N	HU120N	KU170N	PU170N	UU170N
DR120S2-BT120S	CU170S	HU120S	KU170S	PU170S	UU170S
DR120S2-BT120T	CU170T	HU120T	KU170T	PU170T	UU170T
DR120S2-BU120S	GA120L	HU170L	LA120L	SA120L	WT120L
DR120S2-BU120T	GA120N	HU170N	LA120N	SA120N	WT120N
DR170G2-BA170L	GA170L	HU170S	LA170L	SA170L	WT120S
DR170G2-BA170N	GA170N	HU170T	LA170N	SA170N	WT170L
DR170G2-BT170L	GT120L	IPD120G2	LT120L	ST120L	WT170N
DR170G2-BT170N	GT120N	IPD120S2	LT120N	ST120N	WT170S
DR170G2-BU170L	GT120S	IPD170G2	LT120S	ST120S	XT120L
DR170G2-BU170N	GT120T	IPD170S2	LT120T	ST120T	XT120N
DR170S2-BT170S	GT170L	IT120L	LT170L	ST170L	XT120S
DR170S2-BT170T	GT170N	IT120N	LT170N	ST170N	XT120T
DR170S2-BU170S	GT170S	IT120S	LT170S	ST170S	XT170L
DR170S2-BU170T	GT170T	IT120T	LT170T	ST170T	XT170N
AT120L	GU120L	IT170L	LU120L	SU120L	XT170S
AT120N	GU120N	IT170N	LU120N	SU120N	XT170T
AT120S	GU120S	IT170S	LU120S	SU120S	XU120L
AT170L	GU120T	IT170T	LU120T	SU120T	XU120N
AT170N	GU170L	KA120L	LU170L	SU170L	XU120S
AT170S	GU170N	KA120N	LU170N	SU170N	XU120T
CA120L	GU170S	KA170L	LU170S	SU170S	XU170L
CA120N	GU170T	KA170N	LU170T	SU170T	XU170N
CA170L	HA120L	KT120L	PA120L	UA120L	XU170S
CA170N	HA120N	KT120N	PA120N	UA120N	XU170T
CT120L	HA170L	KT120S	PA170L	UA170L	YT120L
CT120N	HA170N	KT120T	PA170N	UA170N	YT120N
CT120S	HT120L	KT170L	PT120L	UT120L	YT120S
CT120T	HT120N	KT170N	PT120N	UT120N	YT120T
CT170L	HT120S	KT170S	PT120S	UT120S	YT170L
CT170N	HT120T	KT170T	PT120T	UT120T	YT170N
CT170S			PT170L	UT170L	YT170S
CT170T			PT170N	UT170N	YT170T
			PT170S	UT170S	YU120S
			PT170T	UT170T	YU120T

Control Suffixes (7th and 8th characters):

- R3 - reversing DX4 OPL
- RD - reversing DMP OPL
- RM - reversing OPL micro
- RQ - reversing dual digital timer
- RT - reversing manual timer

Product Overview - Heat Source and Voltage



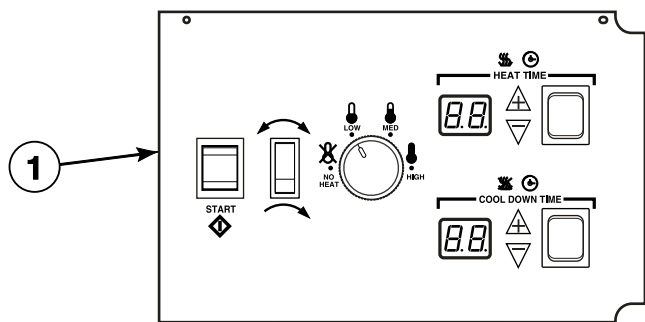
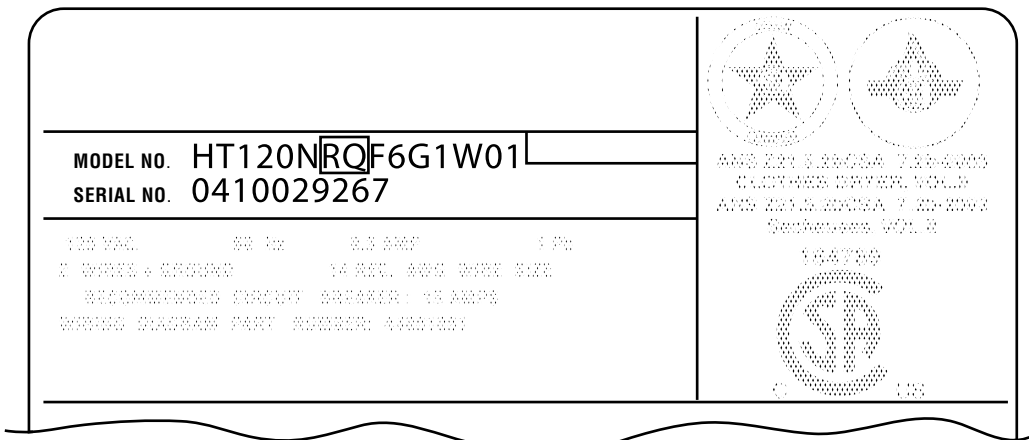
TMB2907P_70399801

Product Overview - Heat Source and Voltage

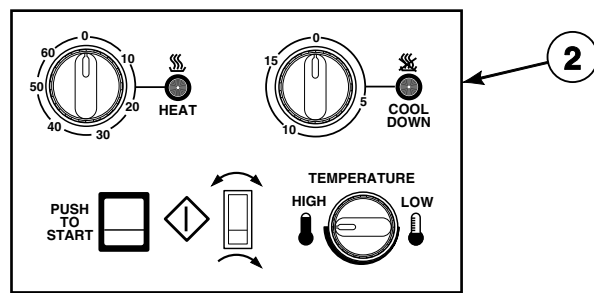
REF	PART NO.	DESCRIPTION	COMMENTS
1	-	Heat Source	L: Liquid Petroleum Gas (L.P.) N: Natural Gas (N.G.) S: Steam T: Thermal Oil
2	-	Voltage	F6: 200-208 or 240 Volt/60 Hertz/3 Phase J5: 230 Volt/50 Hertz/3 Phase M2: 380 or 400-415 Volt/50 Hertz/3 Phase M3: 380 Volt/60 Hertz/3 Phase P1: 440 Volt/60 Hertz/3 Phase Q1: 460-480 Volt/60 Hertz/3 Phase

Product Overview - Control Suffixes (Drawing 1 of 2)

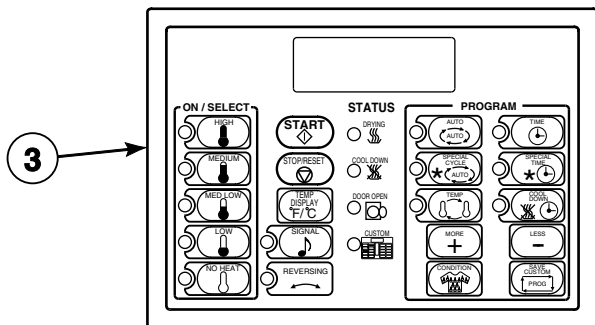
All Models Except G and K Models



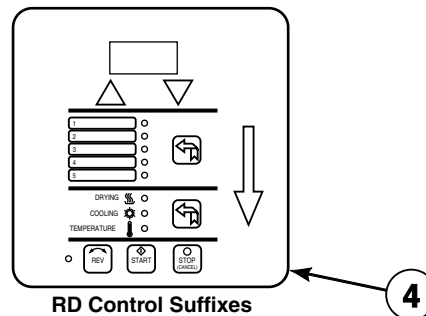
RQ Control Suffixes



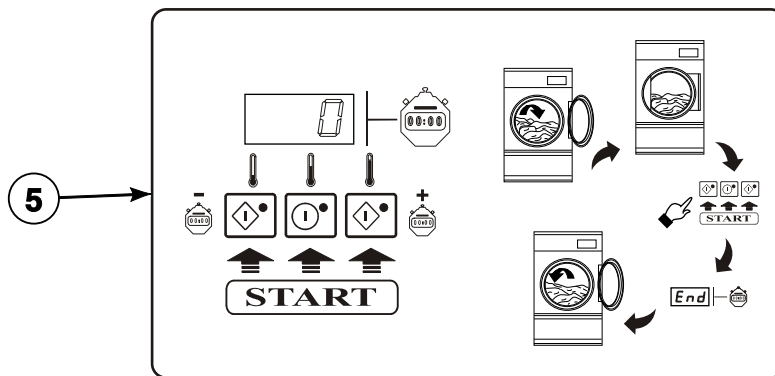
RT Control Suffixes



RM Control Suffixes



RD Control Suffixes



R3 Control Suffixes

TMB2905P_70399801

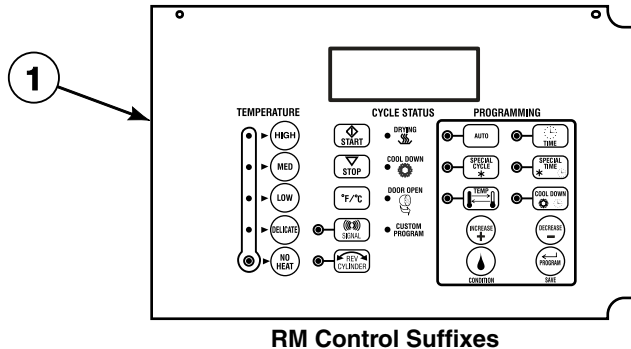
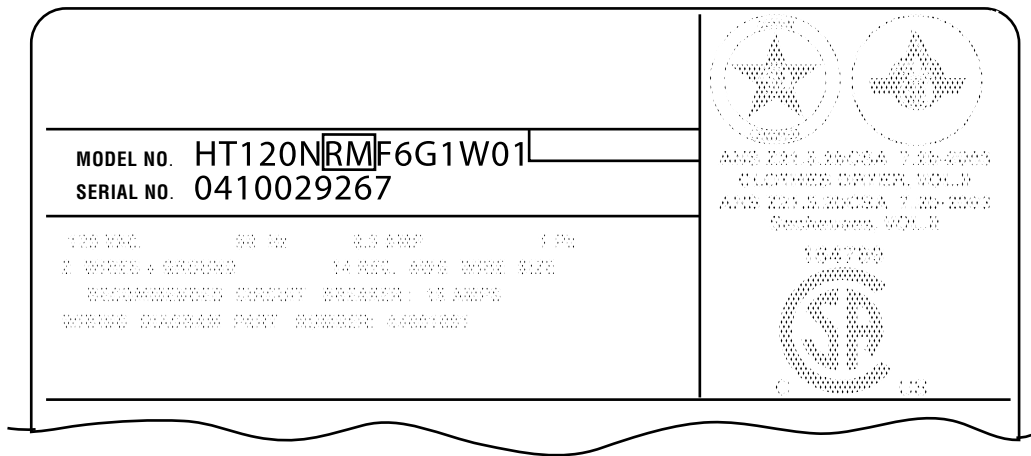
Product Overview - Control Suffixes (Drawing 1 of 2)

REF	PART NO.	DESCRIPTION	COMMENTS
1	-	Control - Reversing	RQ: reversing dual digital timer
2	-	Control - Reversing	RT: reversing manual timer
3	-	Control - Reversing	RM: reversing OPL micro
4	-	Control - Reversing	RD: reversing DMP OPL
5	-	Control - Reversing	R3: reversing DX4 OPL

NOTE: OPL models have the following control suffixes: R3, RD, RM, RQ and RT.

Product Overview - Control Suffixes (Drawing 2 of 2)

G and K Models



TMB2906P_70399801

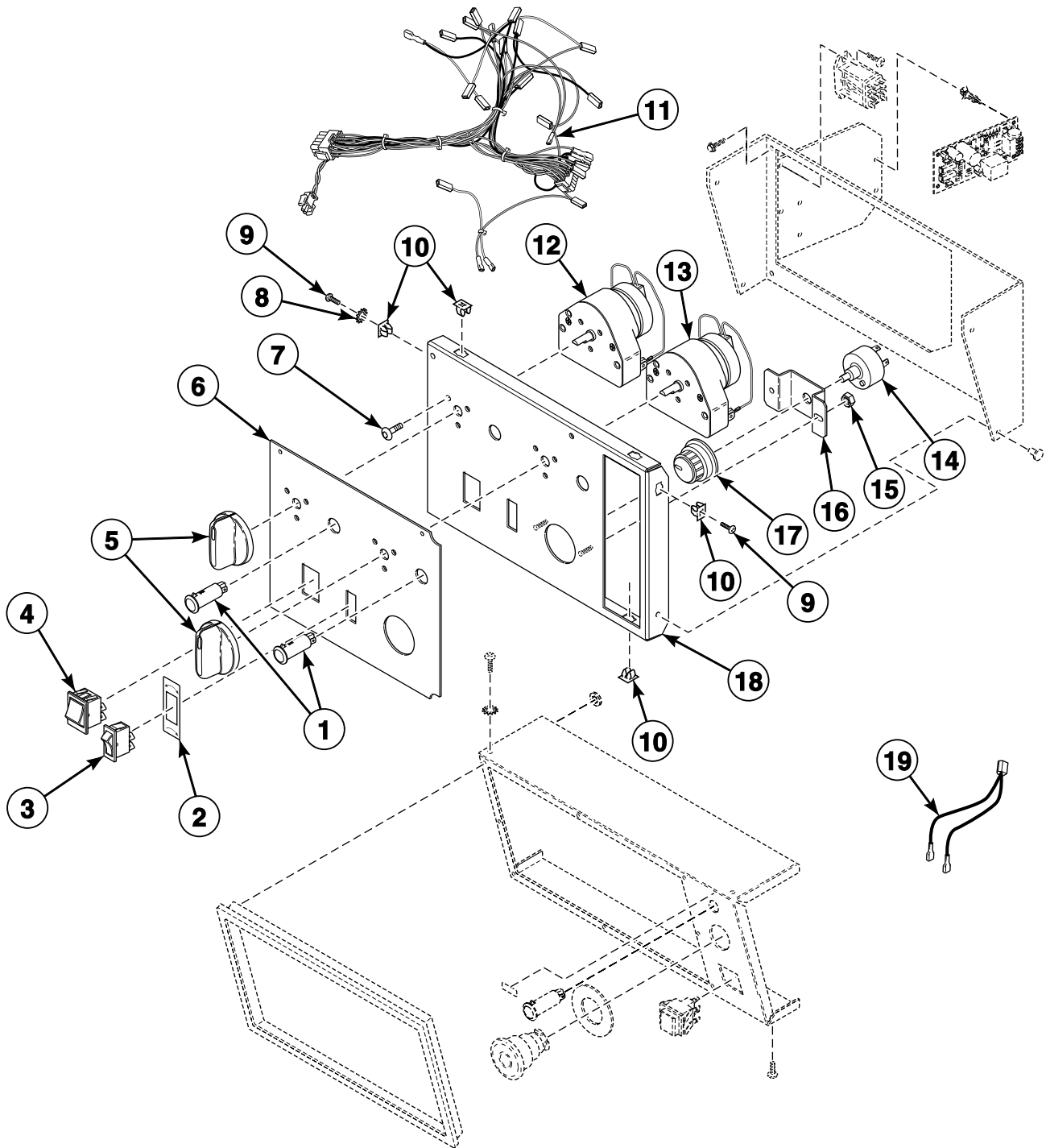
Product Overview - Control Suffixes (Drawing 2 of 2)

REF	PART NO.	DESCRIPTION	COMMENTS
1	-	Control - Reversing	RM: reversing OPL micro

NOTE: OPL models have the following control suffixes: RM.

Exterior Control Box - RT Control Suffix (Drawing 1 of 2)

A, H, P, S, U, W and X Models



TMB2577P_70399801

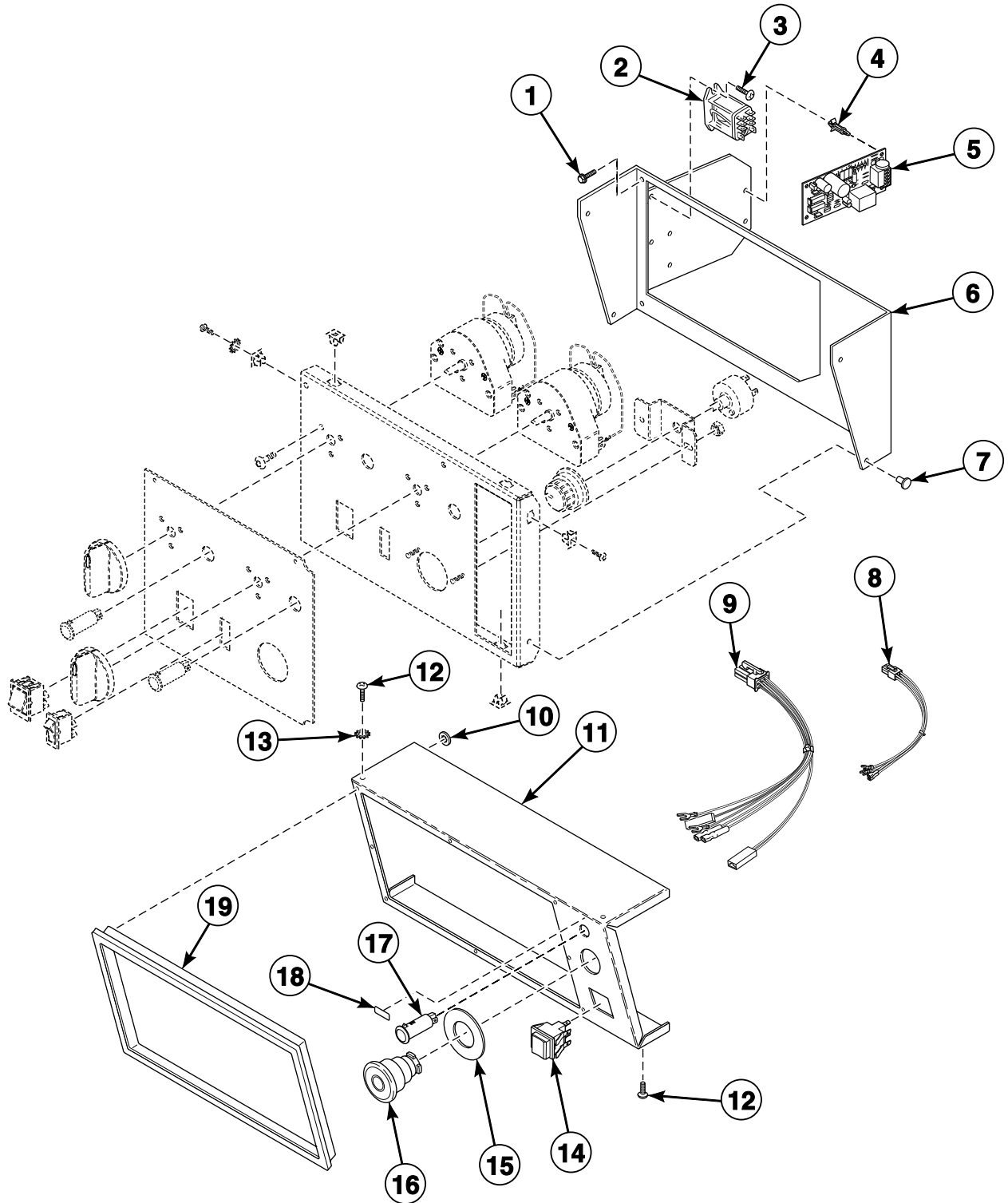
Exterior Control Box - RT Control Suffix (Drawing 1 of 2)

REF	PART NO.	DESCRIPTION	COMMENTS
	M4795P3W	Security Cover Kit	
1	70082201	Indicator Light	Green; 24 Volt
2	M413236	Switch Plate	Reversing
3	M413270	Rocker Switch	Reversing
4	70108501	Start Switch	
5	70082101	Timer Knob	A, P, S, U and X models
	M410927	Knob	H and W models; Timer
6	70114502	Overlay	A, S, U, W and X models; Text; Punch
	N/A	Overlay	S and U models; Icon; Punch
	70128901	Nameplate Overlay	P models
	N/A	Overlay	P models
	N/A	Overlay	H models; Text
	N/A	Overlay	H models; Icon
7	44041301	Screw	
8	03815	Washer	
9	800930	Screw	
10	70030501	Expansion Clip	6 required per control plate assembly
11	44019401	Control Panel Harness	A, HA, HT, PA, PT, SA, ST, UA, UT, W and XT models
	44027301	Control Panel Harness	HU, PU, SU, UU and XU models
12	70131701P	Timer	Heating; 60 minute
13	M412079P	Timer	Cooling; 50 Hertz; 15 minute
	70131801P	Timer	Cooling; 60 Hertz; 15 minute
14	70475001P	Temperature Kit	Potentiometer; Includes nut
15	70054	Nut	2 required
16	70080701	Mounting Bracket	Temperature switch
17	44020501	Knob	A, P, S, U and X models; Temperature
	44104601	Temperature Knob	H and W models
18	44029501	Control Plate Assembly	Includes studs
19	70084104P	Calibration Jumper	

N/A = Part no longer available

Exterior Control Box - RT Control Suffix (Drawing 2 of 2)

A, H, P, S, U, W and X Models



TMB2293P_70399801

Exterior Control Box - RT Control Suffix (Drawing 2 of 2)

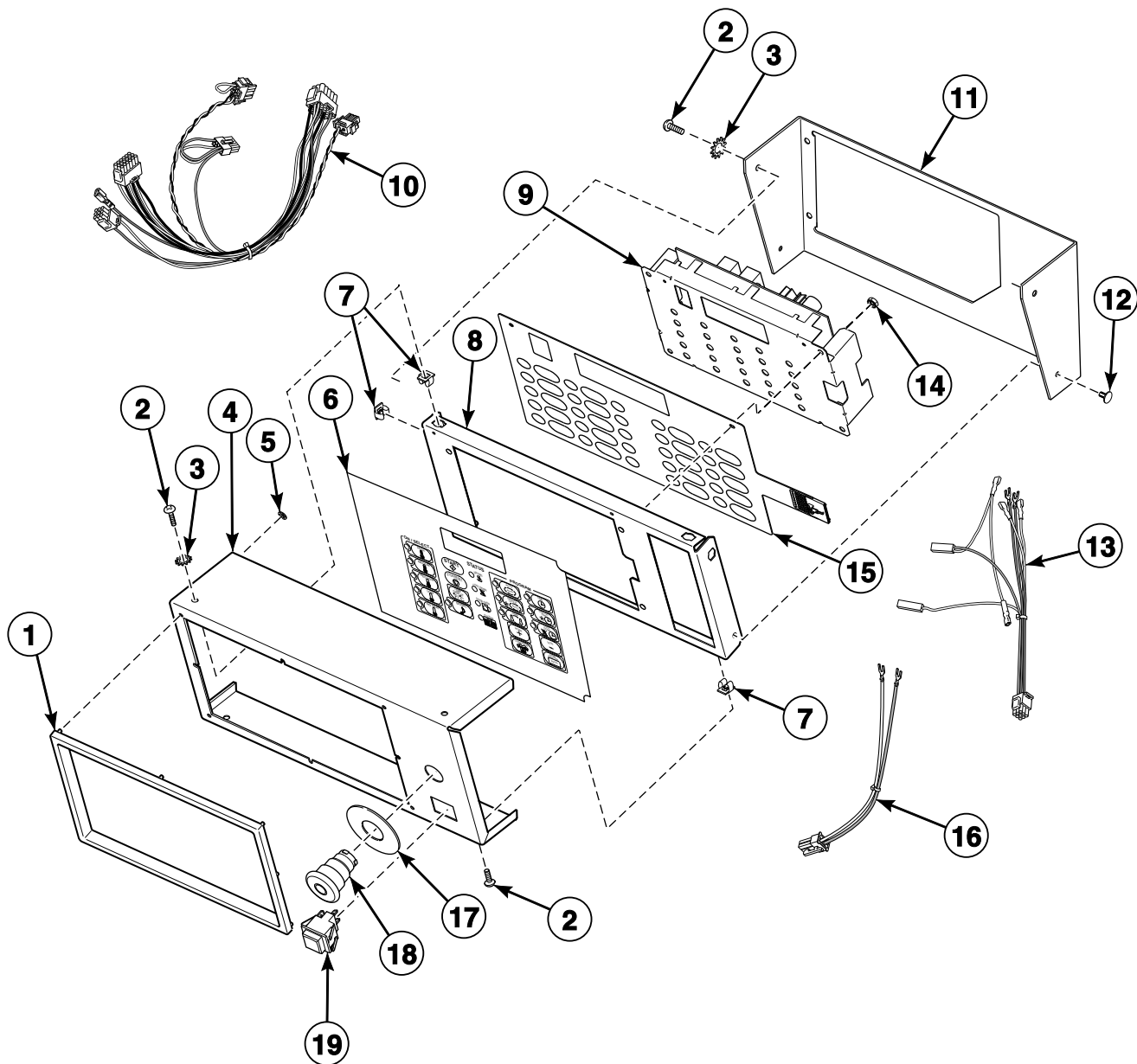
REF	PART NO.	DESCRIPTION	COMMENTS
	M4795P3W	Security Cover Kit	
1	430497	Screw	4 required
2	M412534	Relay	
3	M402797	Screw	2 required
4	34896	Circuit Board Support	4 required
5	431347P	Thermostat Module	
6	44012801*	Control Mounting Bracket	
	N/A	Control Mounting Bracket	Stainless steel
7	M400713	Drive Rivet	2 required
8	44030302	Emergency Stop Harness	HU, PU, SU, UU and XU steam models
9	44029401	Emergency Stop Reset Harness	HU, PU, SU, UU and XU gas models
10	M400977	Nut	8 required per control trim
11	44013301*	Control Cover	A, HA, HT, PA, PT, SA, ST, UA, UT, W and XT models
	44013302	Control Cover	A, HA, HT, PA, PT, SA, ST, UA, UT, W and XT models; Stainless steel
	44013303*	Control Cover	HU, PU, SU, UU and XU gas models
	44013304	Control Cover	HU, PU, SU, UU and XU gas models; Stainless steel
	44013305*	Control Cover	HU, PU, SU, UU and XU steam models
	44013306	Control Cover	HU, PU, SU, UU and XU steam models; Stainless steel
12	800930	Screw	4 required
13	03815	Washer	
14	M413431	Pushbutton Switch	HU, PU, SU, UU and XU gas models; Ignition reset
15	44012901	Emergency Stop Label	HU, PU, SU, UU and XU models
16	F200233500	Emergency Stop Pushbutton	HU, PU, SU, UU and XU models
17	70082201	Indicator Light	Green; 24 Volt
18	N/A	Load Ready Label	
19	44016401	Control Trim	Black; A, P, S, U and X models
	44016402	Control Trim	Gray; H and W models

* Add Letter To Designate Color. L - Almond W - White

N/A = Part no longer available

Exterior Control Box - RM Control Suffix

All Models Except C, D, I and YT Models



TMB3266P_70399801

Exterior Control Box - RM Control Suffix

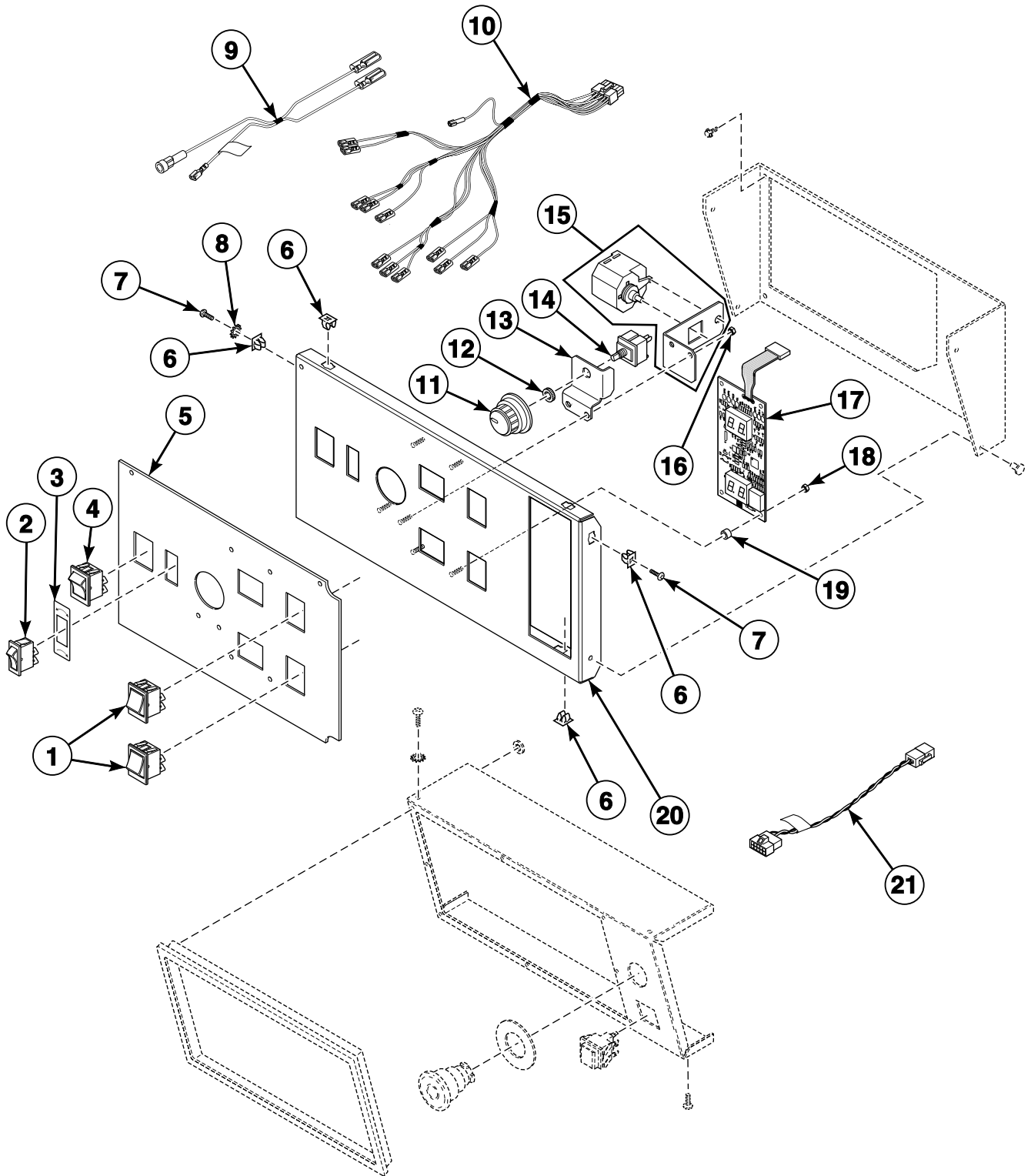
REF	PART NO.	DESCRIPTION	COMMENTS
	M4795P3W	Security Cover Kit	
1	44016401	Control Trim	Black; A, G, K, L, P, S, U, W, X and YU models
	44016402	Control Trim	Gray; H models
2	800930	Screw	4 required
3	03815	Washer	
4	44013307*	Control Cover	A, HA, HT, LT, PA, PT, SA, ST, UA, UT, W and XT models
	N/A	Control Cover	HT, ST, UT and XT models; Stainless steel
	44013309*	Control Cover	HU, LU, PU, SU and UU gas models
	N/A	Control Cover	HU, LU, PU, SU and UU gas models; Stainless steel
	N/A	Control Cover	HU, LU, PU, UU and YU steam models
	N/A	Control Cover	HU, LU, PU, UU and YU steam models; Stainless steel
	44013306	Control Cover	XU and YU models; Stainless steel
	44111701W	Control Cover	GA, GT, KA and KT models
	44111703W	Control Cover	GU and KU gas models
	44111705W	Control Cover	GU and KU steam models
5	M400977	Nut	8 required per control trim
6	70128401	Overlay	A, LA, LT, S, U, W, X and YU models; Text
	70128601	Overlay	H models; Text
	70130501	Overlay	LU, SU and UU models; Icon
	70130701	Overlay	HU models; Icon
	70135301	Overlay	P models
	44130001	Overlay	G and K models; Text and icon
7	70030501	Expansion Clip	6 required per control plate
8	44029601	Control Plate Assembly	Includes studs
9	70228401P	Control Kit	Includes tape
10	44027201	Control Panel Harness	GU, HU, KU, LU, PU, SU, UU, XU and YU models
	44019301	Control Panel Harness	All other models
11	44099501W	Control Mounting Bracket	G and K models
	44012801*	Control Mounting Bracket	All other models
	N/A	Control Mounting Bracket	All other models; Stainless steel
12	M400713	Drive Rivet	2 required
13	44030201	Emergency Stop Reset Harness	GU, HU, KU, LU, PU, SU, UU and XU gas models
14	70054	Nut	4 required per control plate
15	M414368P	Membrane Switch	
16	44030301	Emergency Stop Harness	GU, HU, KU, LU, PU, SU, UU, XU and YU steam models
17	44012901	Emergency Stop Label	GU, HU, KU, LU, PU, SU, UU, XU and YU models
18	F200233500	Emergency Stop Pushbutton	GU, HU, KU, LU, PU, SU, UU, XU and YU models
19	M413431	Pushbutton Switch	GU, HU, KU, LU, PU, SU, UU and XU gas models

* Add Letter To Designate Color. L - Almond W - White

N/A = Part no longer available

Exterior Control Box - RQ Control Suffix (Drawing 1 of 2)

A, C, H, I, P, S, U, X and YT Models



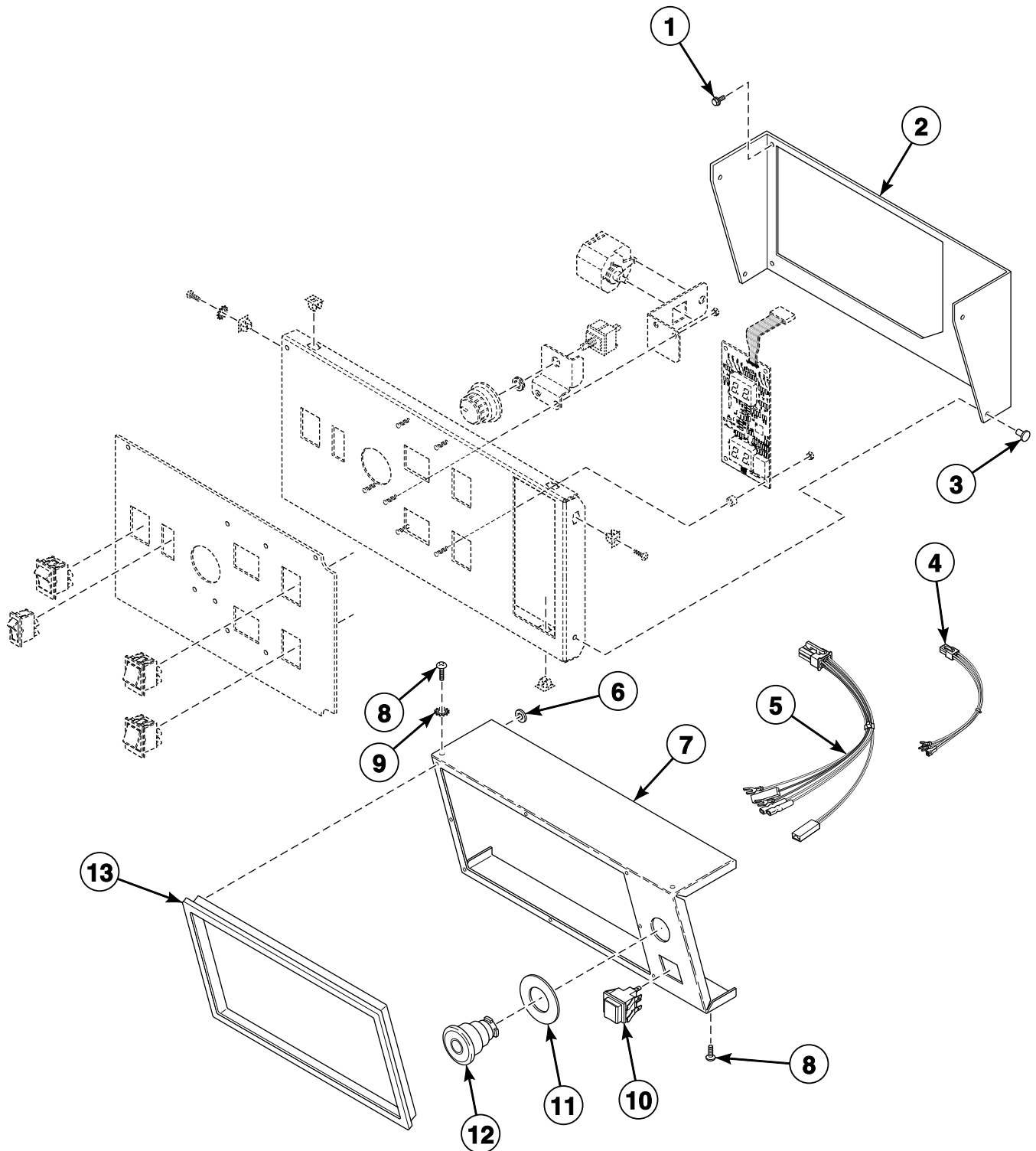
TMB2578P_70399801

Exterior Control Box - RQ Control Suffix (Drawing 1 of 2)

REF	PART NO.	DESCRIPTION	COMMENTS
	M4795P3W	Security Cover Kit	
1	70461301	Rocker Switch	
2	44099601	Rocker Switch	Reversing
3	M413236	Switch Plate	Reversing
4	70455101	Rocker Switch	Start
5	70362202	Overlay	A, C, I, S, U, X and YT models; Punch
	70362502	Overlay	H models
	70362402	Overlay	P models
6	70030501	Expansion Clip	
7	800930	Screw	
8	03815	Washer	
9	44100101P	Control Harness	Jumper
10	44101101P	Control Harness	Interface
11	44104601	Temperature Knob	
12	24205	Nut	
13	70391701	Temperature Selector Switch Bracket	
14	511711	Temperature Selector Switch	
15	M4860P3	Buzzer Kit	Includes bracket, buzzer and wire harness
16	70054	Nut	2 required
17	512218P	Display Assembly	
18	29787	Nut	4 required
19	56079	Panel Locator	4 required
20	44099201	Control Plate and Studs Assembly	Includes studs
21	70324605	Jumper Calibration Wire	

Exterior Control Box - RQ Control Suffix (Drawing 2 of 2)

A, C, H, I, P, S, U, X and YT Models



TMB2275P_70399801

Exterior Control Box - RQ Control Suffix (Drawing 2 of 2)

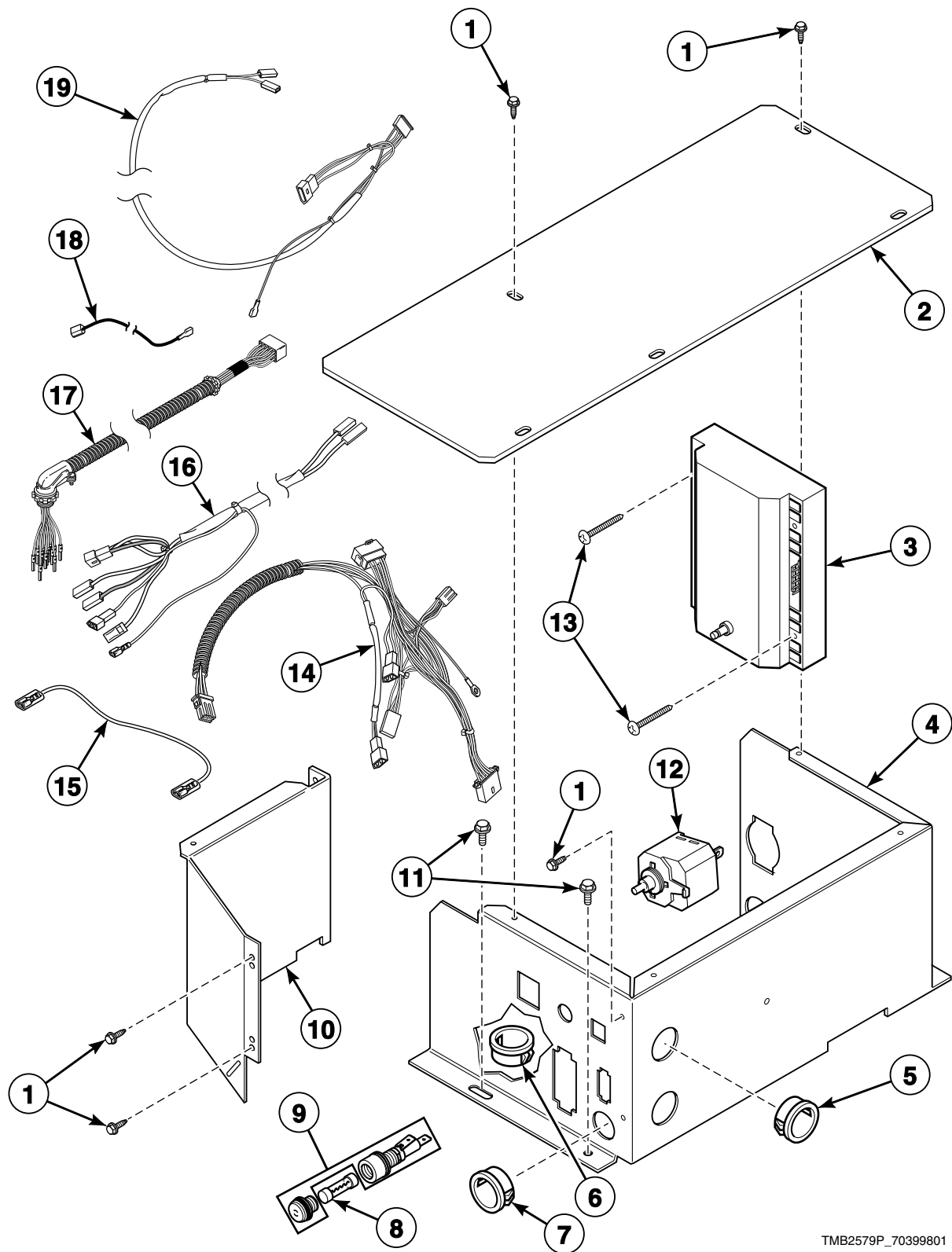
REF	PART NO.	DESCRIPTION	COMMENTS
	M4795P3W	Security Cover Kit	
1	430497	Screw	
2	44099501W	Control Mounting Bracket	
	44099502	Control Mounting Bracket	Stainless steel
3	M400713	Drive Rivet	
4	44030301	Emergency Stop Harness	CE models
5	44030201	Emergency Stop Reset Harness	CE models
6	M400977	Nut	
7	44013307*	Control Cover	Non-CE models
	N/A	Control Cover	Non-CE models; Stainless steel
	44013309*	Control Cover	CE models
	N/A	Control Cover	CE models; Stainless steel
8	800930	Screw	
9	03815	Washer	
10	M413431	Pushbutton Switch	CE models; Ignition reset
11	44012901	Emergency Stop Label	CE models
12	F200233500	Emergency Stop Pushbutton	CE models
13	44016401	Control Trim	Black; A, S, U, X and YT models
	44016402	Control Trim	Gray; H models

* Add Letter To Designate Color. L - Almond W - White

N/A = Part no longer available

Interior Control Box - RM and RT Control Suffixes

A, G, H, K, L, P, S, U, W, X and YU Models



TMB2579P_70399801

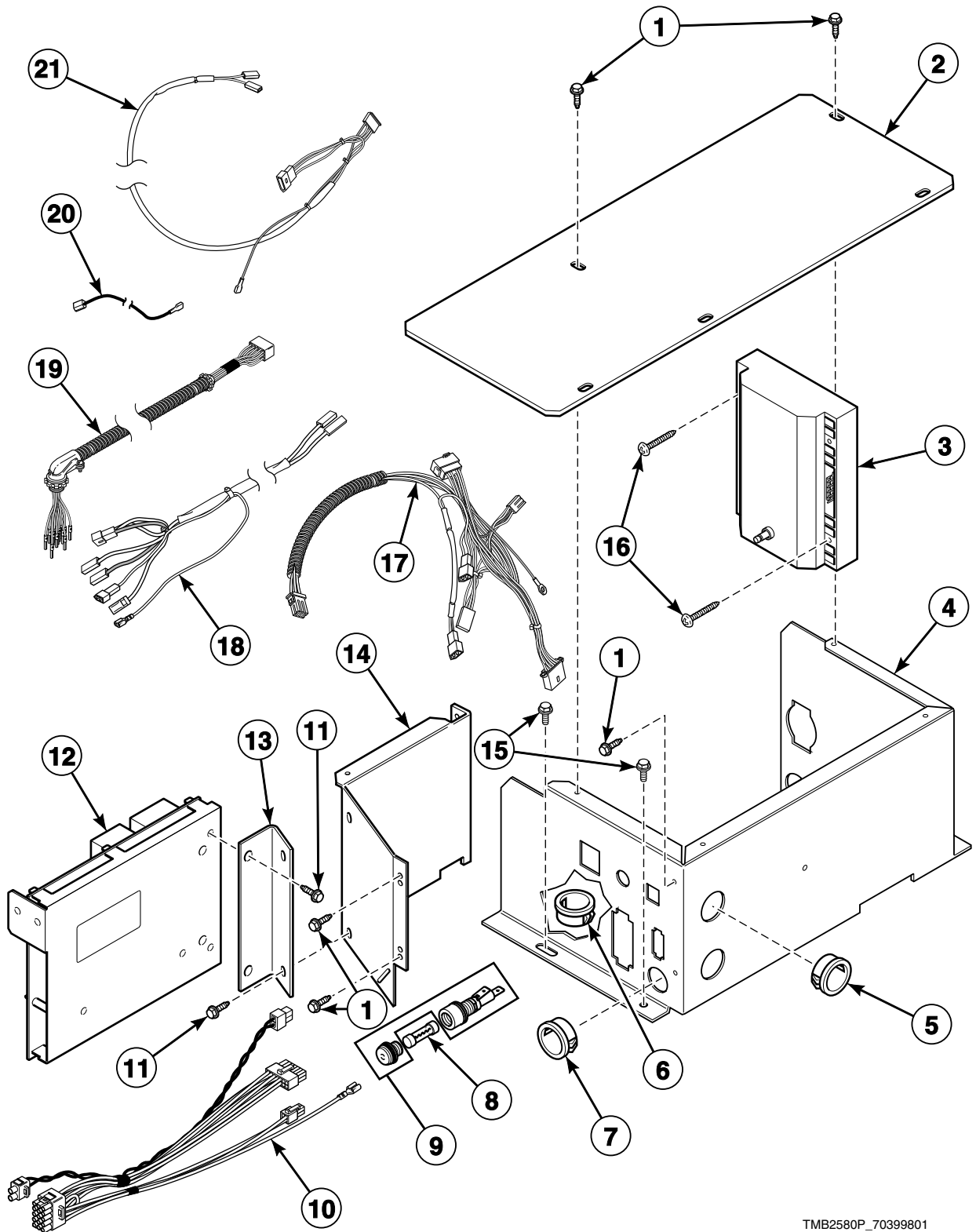
Interior Control Box - RM and RT Control Suffixes

REF	PART NO.	DESCRIPTION	COMMENTS
1	51780	Screw	
2	N/A	Control Box Cover	Models through Serial No. 0206014261 except L models
	44047301	Control Box Cover	Models starting Serial No. 0206014262
3	70367301P	Ignition Control	A, GT, HT, KT, LT, PT, ST, UT, W and XT gas models
	70367401P	Ignition Control	GU, HU, KU, LU, PU, SU, UU and XU gas models
	M410904P	Instant Electronic Ignition Control	GA, HA, KA, LA, PA, SA and UA models
4	N/A	Control Box	Rear; Models through Serial No. 0206014261 except L models
	44047201	Control Box	Rear; Models starting Serial No. 0206014262
5	70178701	Snap Bushing	1 inch panel hole
6	M411537	Bushing	Cabinet frame lint panel harness
7	M400770	Snap Bushing	GU, HU, KU, LU, PU, SU, UU, XU and Y models; .875 inch panel hole
8	M413623	Fuse	A, GA, GT, HA, HT, KA, KT, LA, LT, PA, PT, SA, ST, UA, UT, W and XT models
	M413889	Fuse	All other models
9	91024P	Fuse Receptacle	A, GA, GT, HA, HT, KA, KT, LA, LT, PA, PT, SA, ST, UA, UT, W and XT models
	502591P	Fuse Holder Kit	All other models
	502811	Fuse Carrier	All other models
10	N/A	Control Box	Front; Models through Serial No. 0206014261 except L models
	44047401	Control Box	Front; Models starting Serial No. 0206014262
11	430497	Screw	4 required
12	505447	Adjustable Buzzer	24 Volt; RT control suffix
13	70118801	Screw	A, GT, GU, HT, HU, KT, KU, LT, LU, PT, PU, ST, SU, UT, UU, W, X and Y models
	M411143	Screw	All other models
14	44019901	Control Box Harness	A, GA, GT, HA, HT, KA, KT, LA, LT, PA, PT, SA, ST, UA, UT, W and XT models
	N/A	Control Box Harness	All other models with RT control suffix
	44027001P	Control Box Harness	All other models with RM control suffix
15	M414287	Sensor Wire	HA, PA, SA and UA models
16	N/A	Wire Harness Assembly	GA, HA, KA, LA, PA, SA and UA models; Ignition control
17	44027101	Main Harness	GU, HU, KU, LU, PU, SU, UU, XU and Y models
	44019501	Main Harness	All other models
18	M411061	ICM Return Lead	GA, HA, KA, LA, PA, SA and UA models
19	M413534P	Ignition Control Harness Assembly	A, GT, HT, KT, LT, PT, ST, UT, W and XT gas models
	N/A	Ignition Control Harness	GU, HU, KU, LU, PU, SU, UU and XU gas models

N/A = Part no longer available

Interior Control Box - RQ Control Suffix

A, C, H, I, P, S, U, X and YT Models



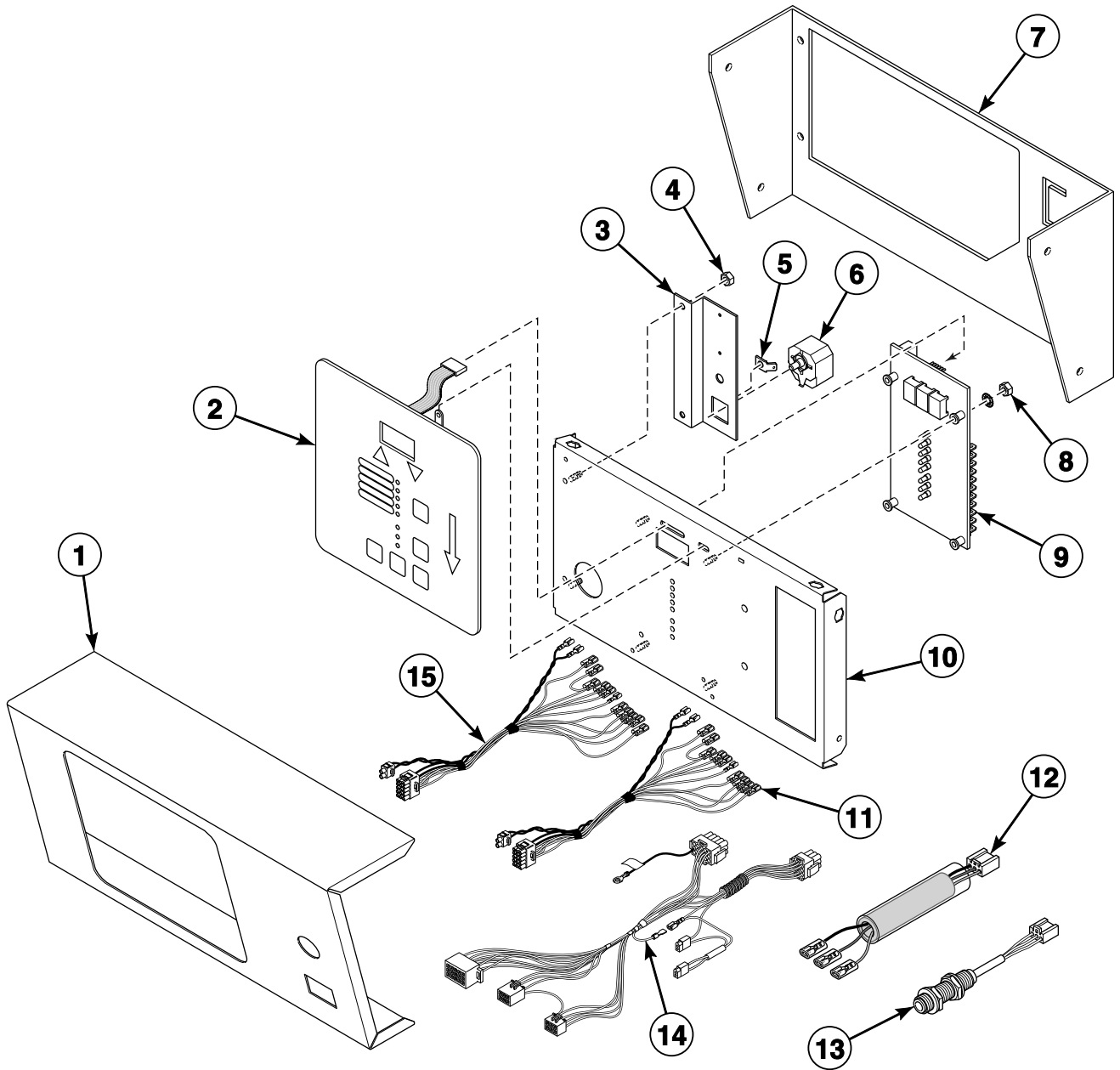
TMB2580P_70399801

Interior Control Box - RQ Control Suffix

REF	PART NO.	DESCRIPTION	COMMENTS
1	51780	Screw	
2	44047301	Control Box Cover	
3	70367301P	Ignition Control	A, CT, HT, I, PT, ST, UT, XT and YT gas models
	70367401P	Ignition Control	HU, PU, SU, UU and XU gas models
	M410904P	Instant Electronic Ignition Control	HA, PA, SA and UA models
4	44047201	Control Box	Rear
5	70178701	Snap Bushing	1 inch panel hole
6	M411537	Bushing	Cabinet frame lint panel harness
7	M400770	Snap Bushing	CU, HU, PU, SU, UU and XU models; .875 inch panel hole
8	M414232	Fuse	A, CA, CT, HA, HT, I, PA, PT, SA, ST, UA, UT, XT and YT models
	M413889	Fuse	All other models
9	91024P	Fuse Receptacle	A, CA, CT, HA, HT, I, PA, PT, SA, ST, UA, UT, XT and YT models
	502591P	Fuse Holder Kit	All other models
	502811	Fuse Carrier	All other models
10	44100401	Control Panel Harness	A, CA, CT, HA, HT, I, PA, PT, SA, ST, UA, UT, XT and YT models
	44100501	Control Panel Harness	All other models
11	501524	Screw	
12	512202P	Control Assembly	
13	44099301	Control Bracket	
14	44047401	Control Box	Front
15	430497	Screw	
16	70118801	Screw	A, CT, CU, HT, HU, I, PT, PU, ST, SU, UT, UU, X and Y models
	M411143	Screw	All other models
17	44101001	Control Box Harness	A, CA, CT, HA, HT, I, PA, PT, SA, ST, UA, UT, XT and YT models
	44102101P	Control Box Harness	All other models
18	N/A	Wire Harness Assembly	CA, HA, PA, SA and UA models; Ignition control
19	44027101	Main Harness	CU, HU, PU, SU, UU and XU models
	44019501	Main Harness	All other models
20	M411061	ICM Return Lead	CA, HA, PA, SA and UA models
21	M413534P	Ignition Control Harness Assembly	A, CT, HT, I, PT, ST, UT, XT and YT gas models
	N/A	Ignition Control Harness	CU, HU, PU, SU, UU and XU gas models

N/A = Part no longer available

DMP Control Box - C and I Models with RD Control Suffix



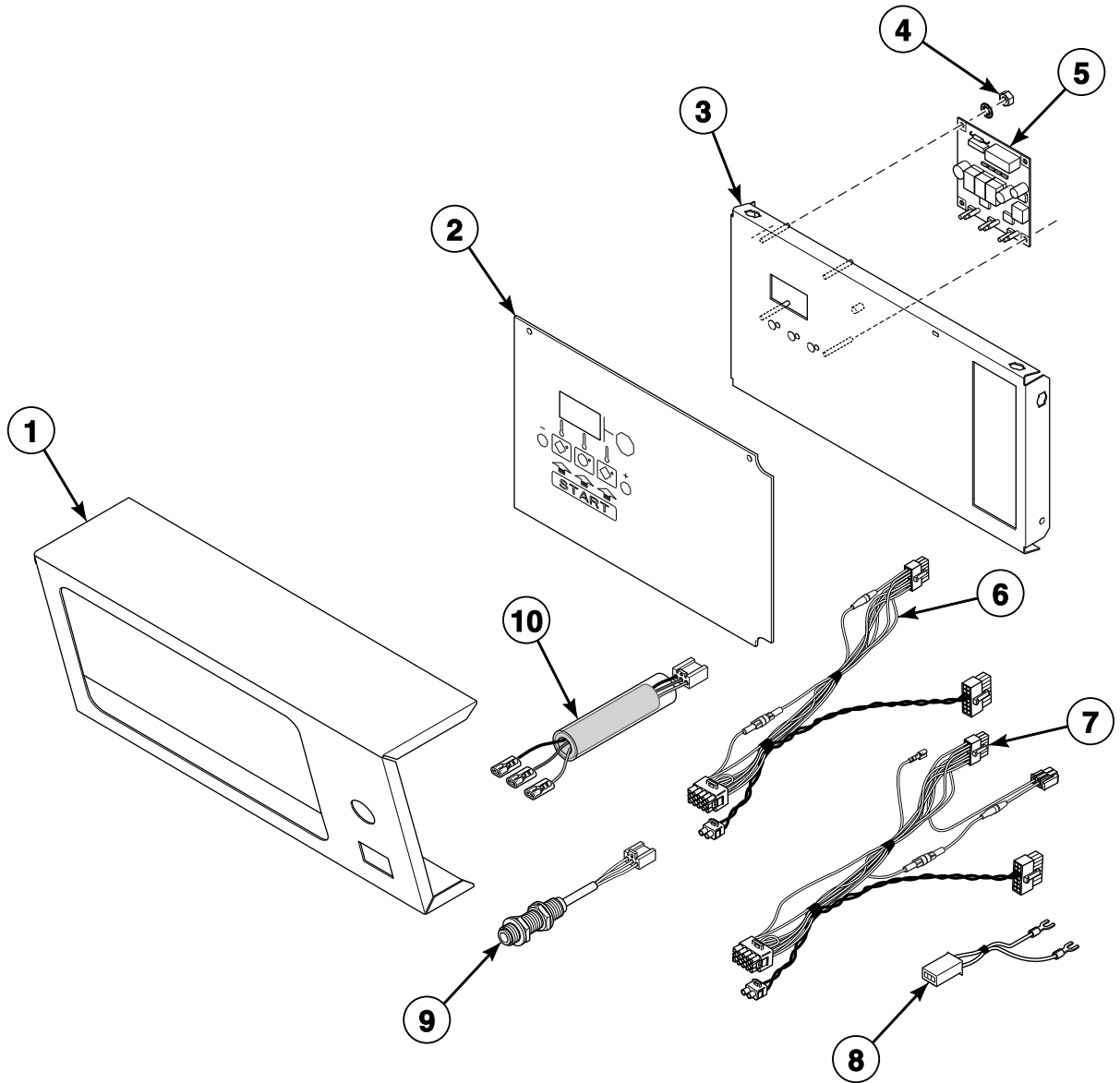
TMB2378P_70399801

DMP Control Box - C and I Models with RD Control Suffix

REF	PART NO.	DESCRIPTION	COMMENTS
1	44040107*	Control Cover	CA, CT and I models
	44040108	Control Cover	CA, CT and I models; Stainless steel
	44040109*	Control Cover	CU gas models
	44040110	Control Cover	CU gas models; Stainless steel
	44040111*	Control Cover	CU steam models
	44040112	Control Cover	CU steam models; Stainless steel
2	44037901P	Membrane Switch	
3	44041701	Relay/Buzzer Bracket	
4	70054	Nut	
5	00177	Male Tab Terminal	
6	505447	Adjustable Buzzer	
7	44040201*	Control Mounting Bracket	CA, CT and I models
	44040202	Control Mounting Bracket	CA, CT and I models; Stainless steel
8	29787	Nut	
9	44037801P	Electronic Control	
10	44041101	Control Plate Assembly	
11	44054001P	Control Panel Harness	CU models
12	70274102P	Rotation Sensor Cable Assembly	
13	7010P	Rotation Sensor Kit	
14	44111601P	Control Box Harness	CU models
15	44111501P	Control Panel Harness	CA, CT and I models

* Add Letter To Designate Color. Q - Bisque W - White

DX4 Control Box - D Models with R3 Control Suffix



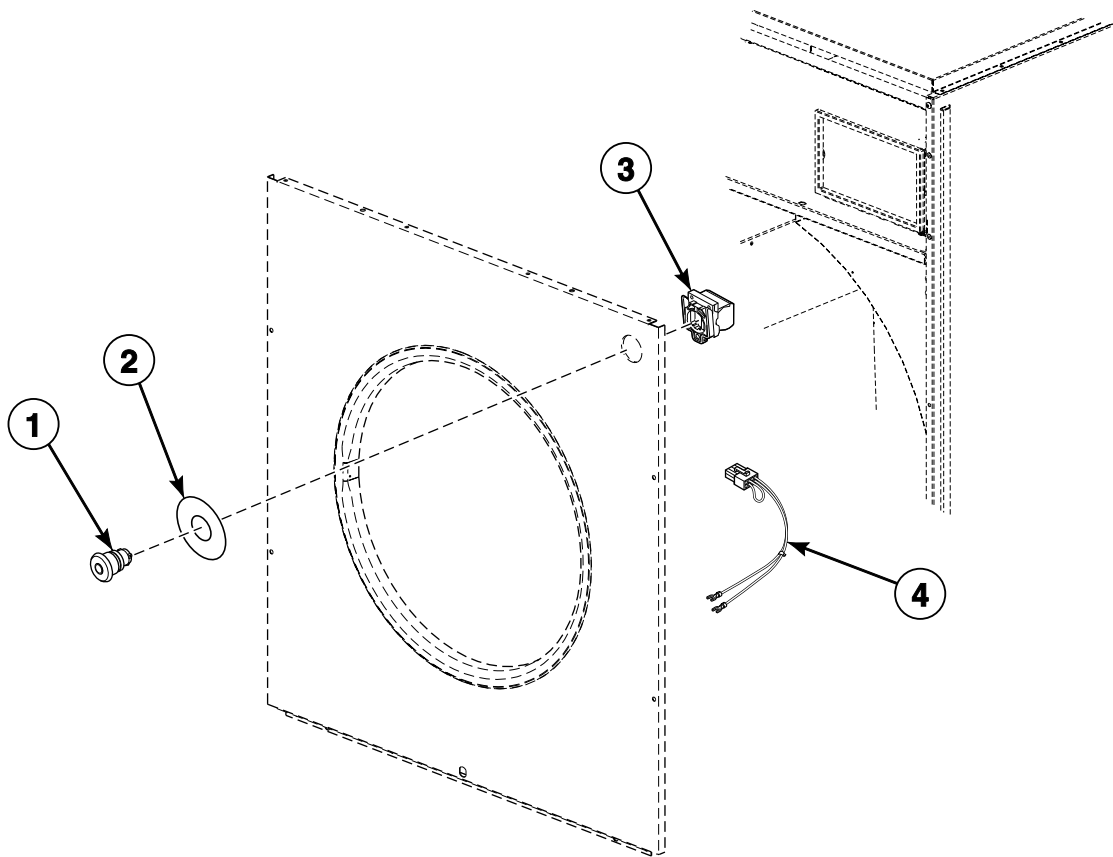
TMB2379P_70399801

DX4 Control Box - D Models with R3 Control Suffix

REF	PART NO.	DESCRIPTION	COMMENTS
1	44111701*	Control Cover	Non-CE models
	44111702	Control Cover	Non-CE models; Stainless steel
	44111703*	Control Cover	CE gas models
	44111704	Control Cover	CE gas models; Stainless steel
	44111705*	Control Cover	CE steam models
	44111706	Control Cover	CE steam models; Stainless steel
2	44050401	Graphic Overlay	CE models
3	44038601	Control Plate Assembly	CE models
4	29787	Nut	
5	44051001P	Electronic Control	
6	44111201P	Control Panel Harness	Non-CE models
7	44058201P	Control Panel Harness	CE models
8	44111401	Emergency Stop Harness	CE models
9	7010P	Rotation Sensor Kit	
10	70274102P	Rotation Sensor Cable Assembly	

* Add Letter To Designate Color. Q - Bisque W - White

Emergency Stop Button - CE Models



TMB2386P_70399801

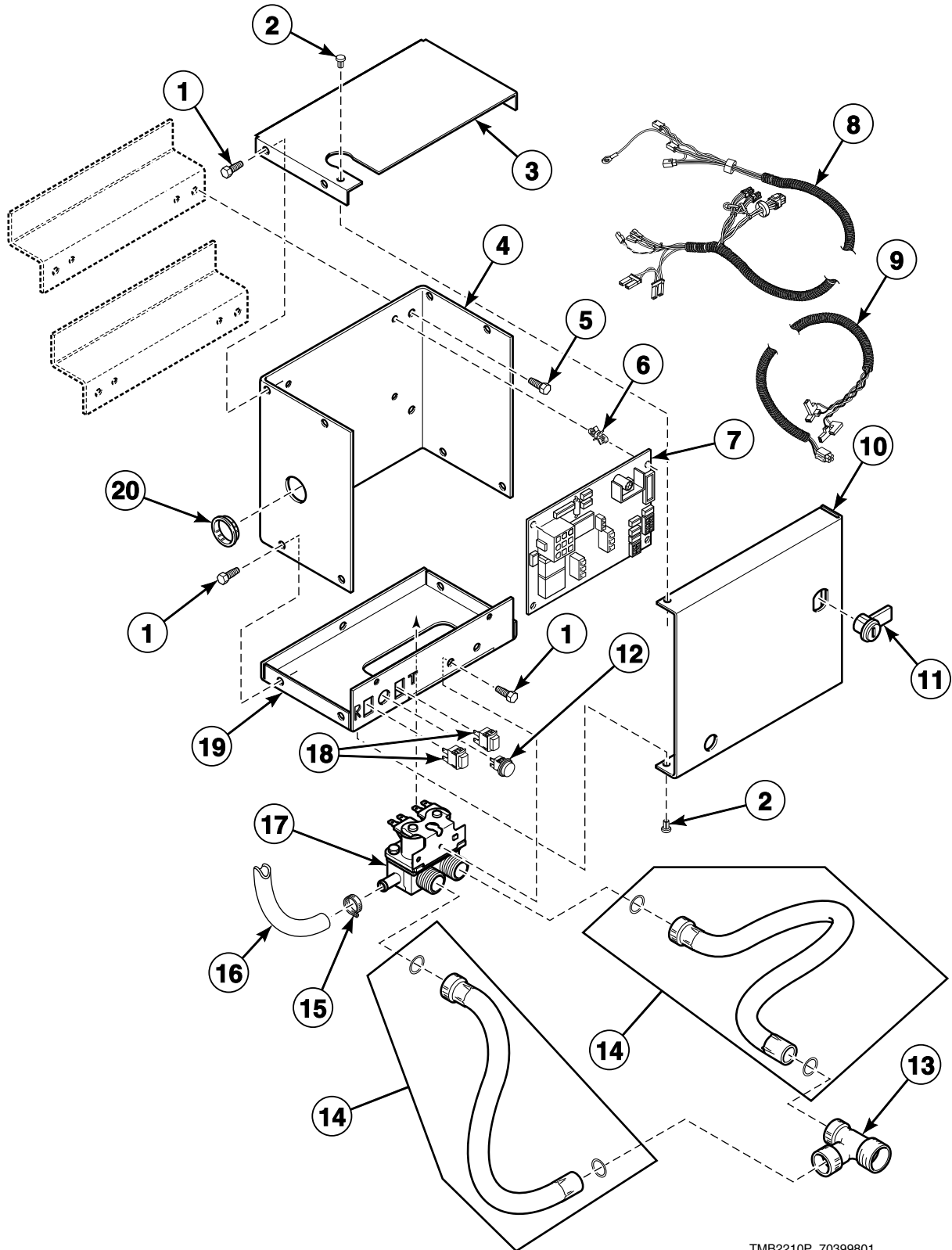
Emergency Stop Button - CE Models

REF	PART NO.	DESCRIPTION	COMMENTS
	F200233700P	Emergency Stop Button Kit	To switch from old style button to new style button
1	44018801	Pushbutton	Models through 9/30/07
	F200233500	Emergency Stop Pushbutton	Models starting 10/1/07
2	M412235	Emergency Stop Label	
3	44018701	Contact Block	Models through 9/30/07
	44018901	Contact Block	Models through 9/30/07; Order in addition to 44018701 Contact Block on models with R3 control suffix
	F200233401	Contact Block Switch	Models starting 10/1/07; Replaces 44018701 Contact Block
	F8069501	Contact Switch	Models starting 10/1/07; Replaces 44018901 Contact Block; Order in addition to F200233700P Emergency Stop Button Kit on models with R3 control suffix starting 7/11/05
4	70083901	Emergency Stop Switch Harness Assembly	G and K models; H, S and U models starting Serial No. 0308001308; D models starting Serial No. 0704000046
	44063201P	Front Panel Harness Assembly	D models; Models starting Serial No. 0704000046
	N/A	Emergency Stop Harness	D models; Models starting Serial No. 0704000046

N/A = Part no longer available

Fire Suppression System Control Box

A, C, D, G, H, I, K, S and U Models
Models with a K, L, T or U in the 11th Character (ST120NRTF6K1W01)

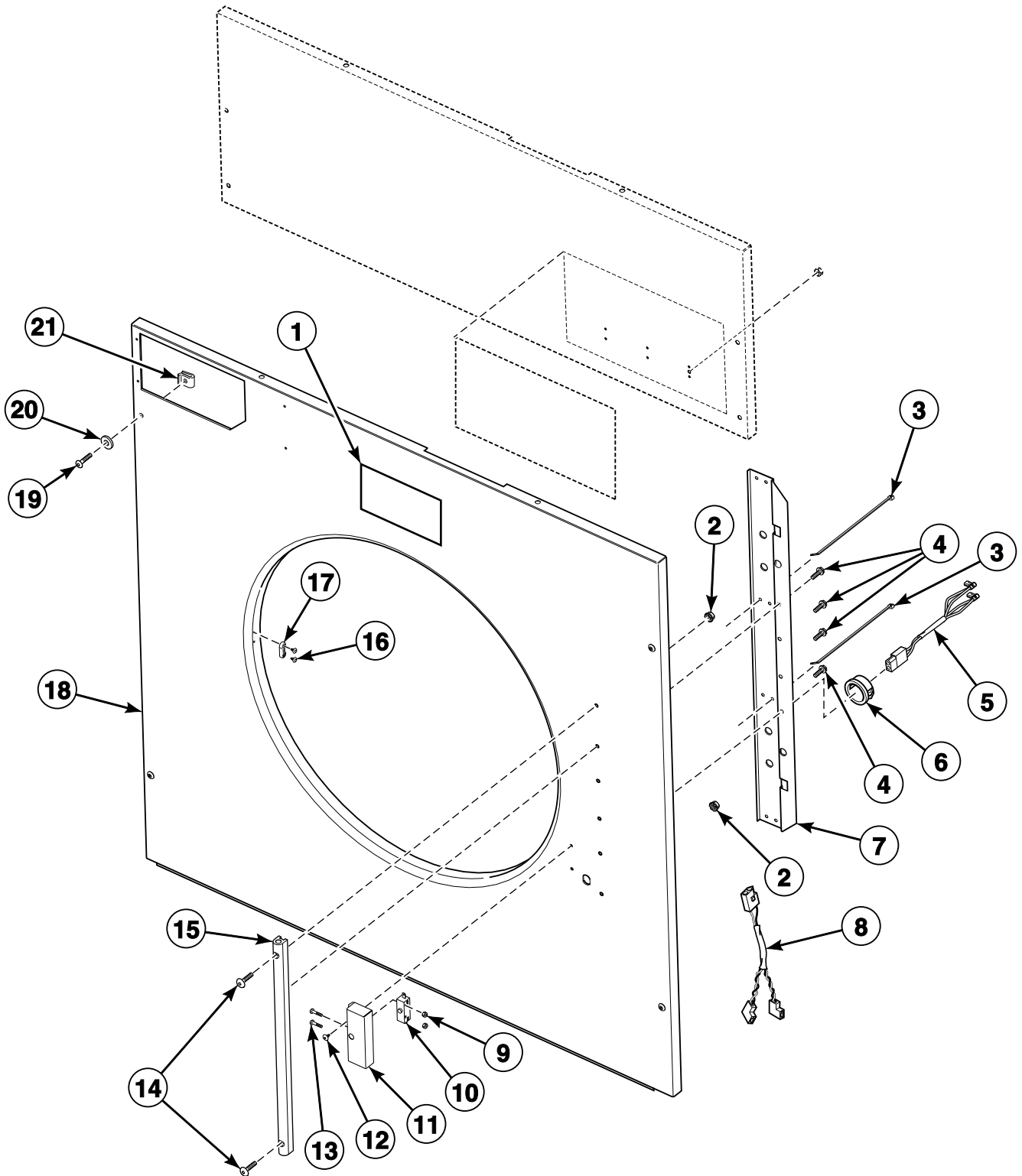


TMB2210P_70399801

Fire Suppression System Control Box

REF	PART NO.	DESCRIPTION	COMMENTS
1	430497	Screw	
2	M400713	Drive Rivet	
3	44065401	Control Box Top	Top
4	44065101	Control Box Housing	
5	51780	Screw	
6	501523	Circuit Board Support	4 required
7	44063801P	Control	
8	44157501P	Control Harness	CE models
	44080201P	Control Harness	All other models
9	44082701P	Sensor Harness Assembly	
10	44065201	Control Box Cover	
11	44089301P	Lock, Key and Nut Kit	RL001 key code
	70155601	Key	RL001
12	801432	Light	Red
13	44069101	Hose Fitting	
14	F200116	Water Hose	2 required
15	36801	Hose Clamp	
16	44073302	Hose	120 pound models; 21 inches; Outlet hose
	44073303	Hose	170 pound models; 31 inches; Outlet hose
17	36958P	Mixing Valve	
18	801434W	Push-to-Start Switch	2 required
19	44065301	Control Box Base	
20	70178701	Snap Bushing	

Cabinet Front Components (Drawing 1 of 2)



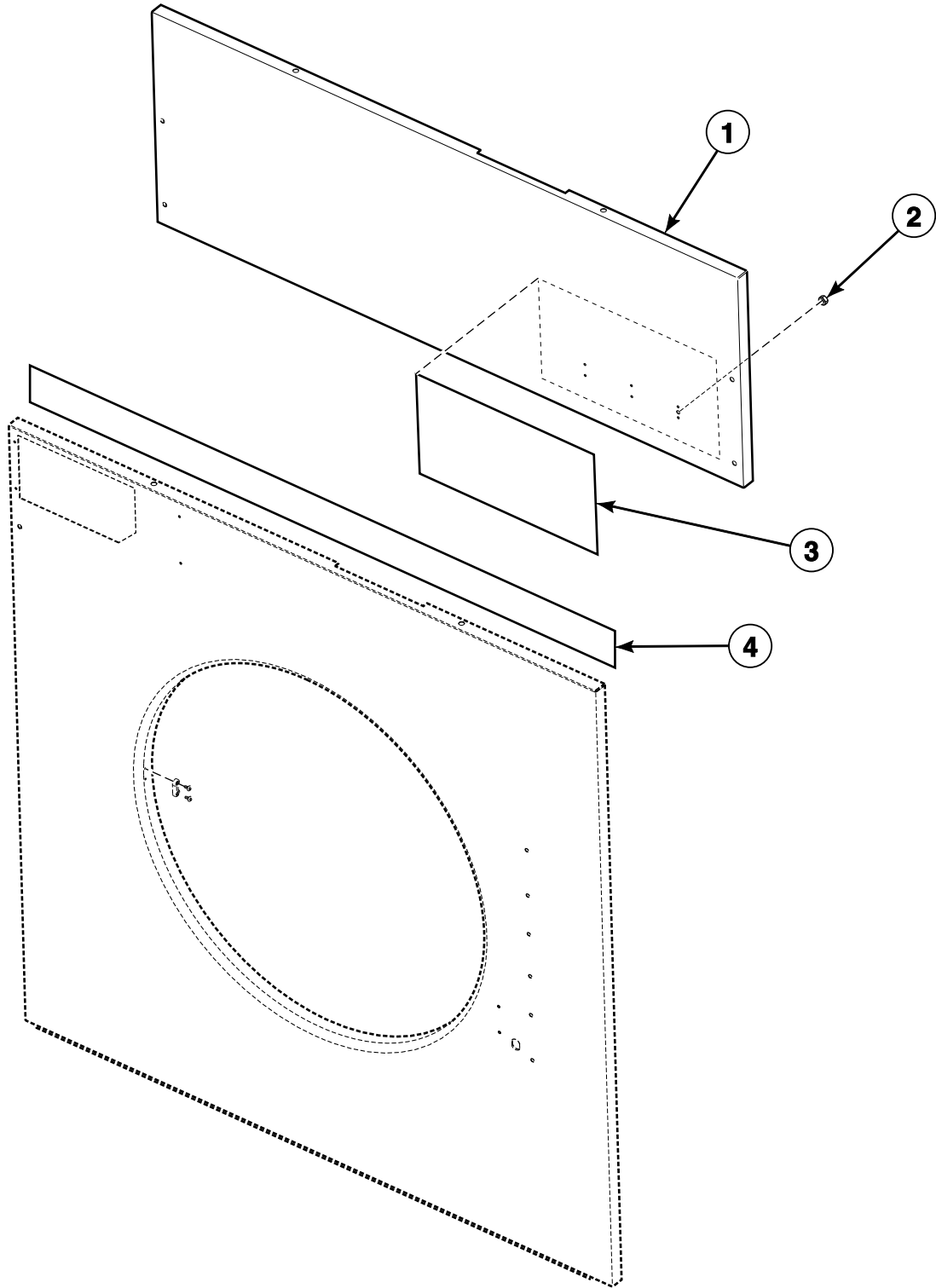
TMB2794P_70399801

Cabinet Front Components (Drawing 1 of 2)

REF	PART NO.	DESCRIPTION	COMMENTS
	298P4P	Spray Paint	White
	297P4	Spray Paint	Almond
	286P4	Spray Paint	Blue
	122P4P	Porcelain Touch-Up Paint	White
	215P4P	Porcelain Touch-Up Paint	Almond
	370P4P	Porcelain Touch-Up Paint	Bisque
1	44128901	Fire Suppression System Label	G and K models
2	29786	Nut	2 required
3	55881	Harness Strap	2 required; Front panel harness to door switch wire channel
4	44023301	Screw	4 required
5	44019601P	Door Switch Harness	
6	70346501	Bushing	Required for door switch harness going through frame
7	44001801	Door Switch Wire Channel	120 pound models
	44001802	Door Switch Wire Channel	170 pound models
8	44019601P	Door Switch Harness	
9	02788	Nut	2 required
10	44018201	Door Switch	
11	44001301	Door Switch Cover	
12	431287	Screw	2 required
13	M402574	Screw	2 required
14	70033504	Screw	2 required
15	44035001	Door Hinge Lug Assembly	Includes bushings
16	M400072	Screw	2 required; Models through Serial No. 0305000001 except L models
	44166601	Pop Rivet	2 required; Models starting Serial No. 0305000001
17	M401223	Door Latch	
18	44012401W	Front Panel	120 pound models
	44012402	Front Panel	120 pound models; Stainless steel
	44078101*P	Front Panel Assembly	170 pound models
	44012502P	Front Panel	170 pound models; Stainless steel
19	70182601	Screw	4 required per panel
20	800465	Washer	4 required per panel
21	70030401	Nut	Access and front panel attachment

* Add Letter To Designate Color. Q - Bisque W - White

Cabinet Front Components (Drawing 2 of 2)



TMB2636P_70399801

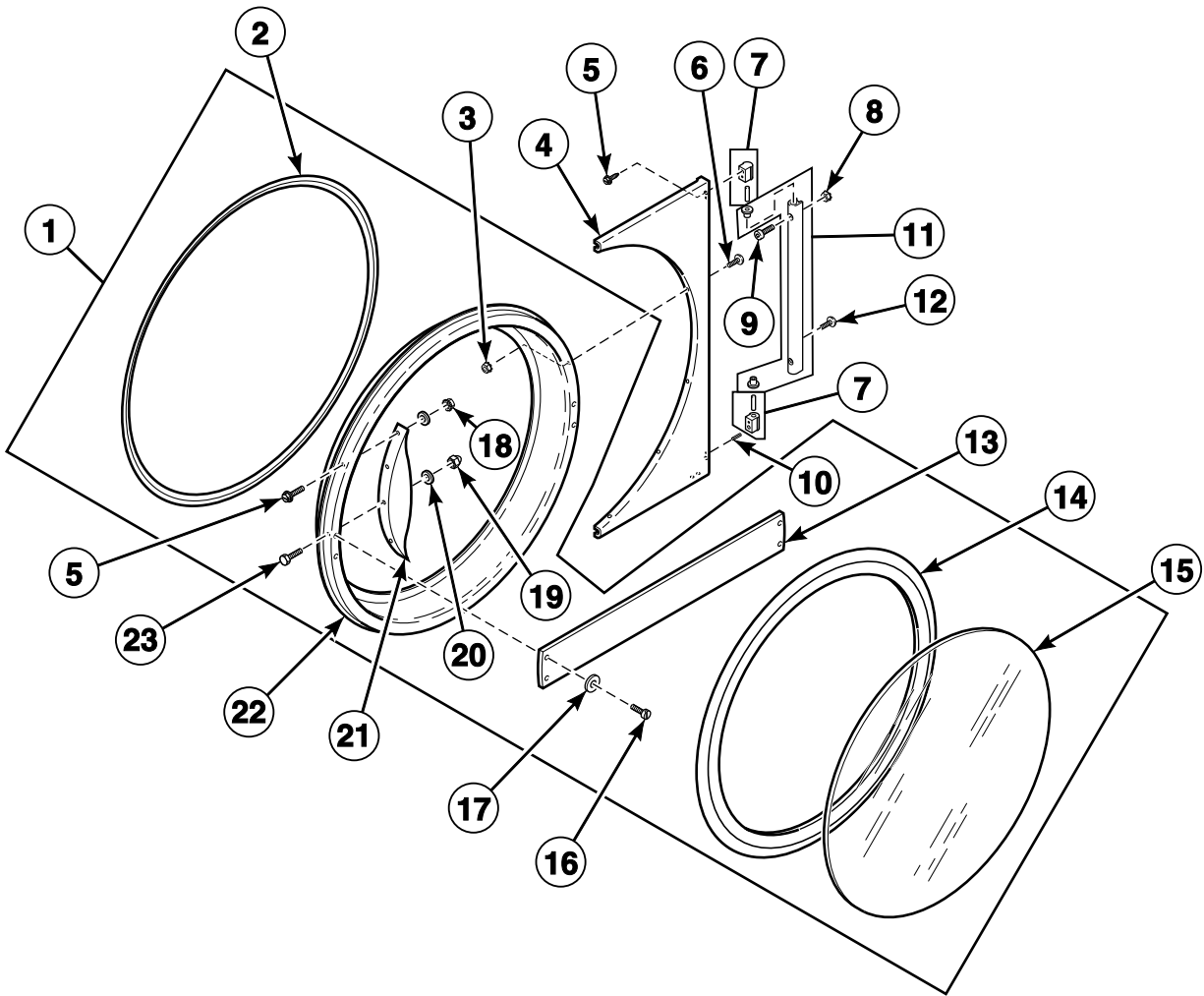
Cabinet Front Components (Drawing 2 of 2)

REF	PART NO.	DESCRIPTION	COMMENTS
1	44012601*	Access Panel	L and P 120 pound models
	44012602	Access Panel	L, PT, PU and XT 120 pound models; Stainless steel
	44012701*P	Front Access Panel	LU and P 170 pound models
	44012702P	Access Panel	L, PT, PU, XT and XU 170 pound models; Stainless steel
	44012607*P	Front Access Panel	CT, CU, G, H, I, K, L, P, S, U, W and Y 120 pound models; D 120 pound CE models
	44012608	Front Access Panel	CT, HT, I, ST and UT 120 pound models; Stainless steel
	44012707*P	Front Access Panel	CT, G, H, I, K, S, U, W, XT and Y 170 pound models; D 170 pound CE models
	44012708	Front Access Panel	CT, HT, ST and UT 170 pound models; D 170 pound CE models; Stainless steel
2	M400977	Nut	L and P models; For access panel trim; 2 required
3	44035801	Nameplate	X models
	44010401	Nameplate	H models
	44010601	Nameplate	S models
	70128901	Nameplate Overlay	P models
	70243901	Nameplate	L models
	M412963	Nameplate Overlay	U models
	N/A	Nameplate Overlay	A models
	44104501	Nameplate Overlay	Y models
	70348501	Nameplate	C models
	70348601	Nameplate	D and I models
	44130401	Nameplate Overlay	K 120 pound models
	44130501	Nameplate Overlay	K 170 pound models
	70410201	Nameplate Overlay	G models
4	70399403	Access Panel Trim	G and K 120 pound models; Mounts over front panel assembly and control panel
	70399404	Access Panel Trim	G and K 170 pound models; Mounts over front panel assembly and control panel

* Add Letter To Designate Color. L - Almond Q - Bisque W - White

N/A = Part no longer available

Door and Hinge Components - A, G, H, K, L, P, S, U, W, X and Y Models



TMB2635P_70399801

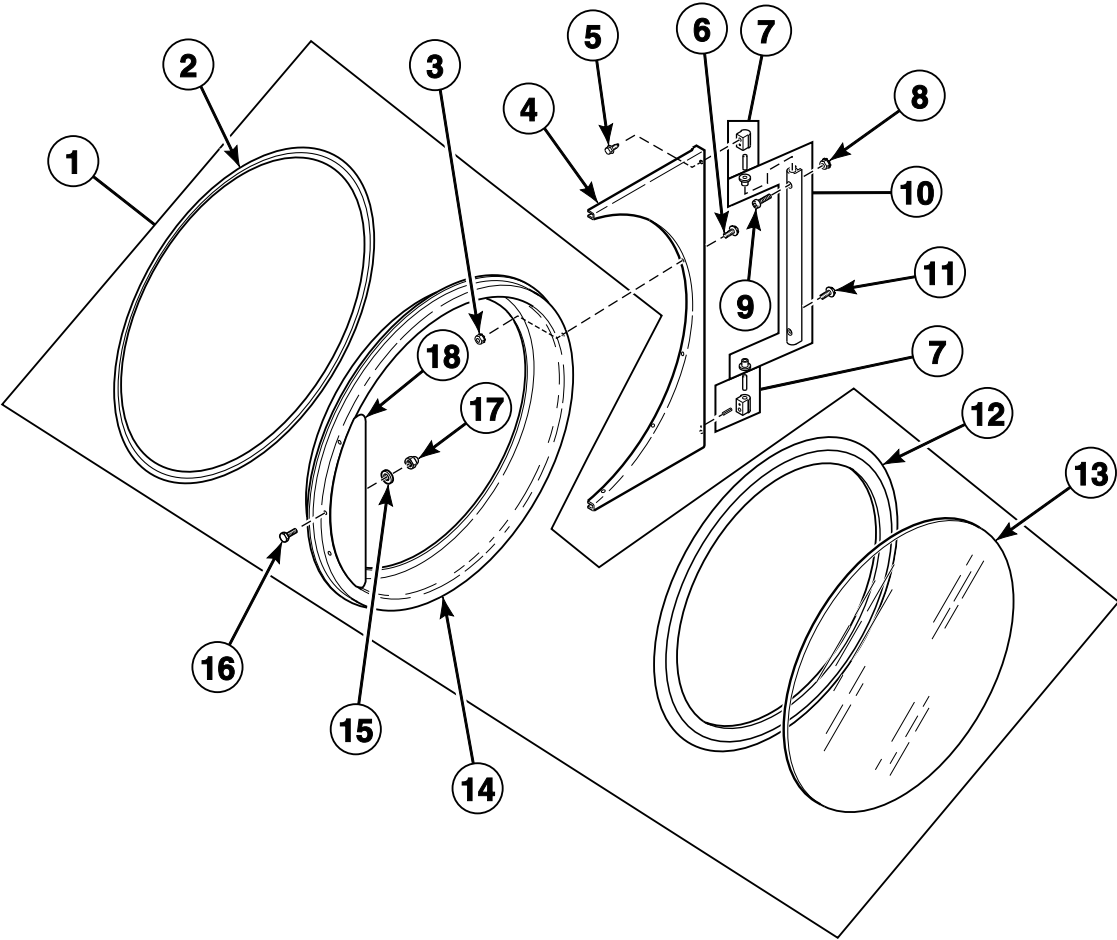
Door and Hinge Components - A, G, H, K, L, P, S, U, W, X and Y Models

REF	PART NO.	DESCRIPTION	COMMENTS
	M4221P4	Door Glass Installation Tool	
1	44028902P	Door Assembly	S and U models; Includes door strike, nut and washer
	44058102P	Door Assembly	H models; Hinge not included; Includes door strike, nut and washer
	N/A	Door Assembly	A, L, P, W, X and Y models; Includes door strike, nut and washer
	70407401	Door Assembly	G and K models
2	44008201P	Door Ring Gasket	
3	23951	Nut	6 required
4	44075207B	Door Hinge	G and K models
	44075201*	Door Hinge Assembly	All other models
	44075202	Door Hinge Assembly	All other models; Stainless steel
5	61199	Screw	3 required for cams; 4 required for handle
6	M400044	Screw	6 required
7	44035102	Door Hinge Cam Assembly	G and K models
	M4772P3	Cam and Hinge Kit	All other models; Includes dowel; Upper and lower
8	29786	Nut	2 required
9	70409801	Screw	G and K models; 2 required
	70033504	Screw	All other models; 2 required
10	70126201	Screw	
11	44035002	Door Hinge Lug Assembly	G and K models; Includes bushings
	44035001	Door Hinge Lug Assembly	All other models; Includes bushings
12	44023301	Screw	4 required
13	70399501B	Handle Bar	G and K models
14	70211902P	Door Seal Kit	
15	44008401P	Door Glass	A, G, K, L, P, S, U, W, X and Y models
	44008402P	Door Glass	H models
16	70126301	Pop Rivet	G and K models; 4 required
17	70409301	Washer	G and K models; 2 required
18	70054	Nut	4 required
19	M414215	Nut	
20	800465	Washer	5 required
21	44007901	Door Handle	S and U models
	44057702	Door Handle	H, L, P, W, X and Y models; Includes M409385 Screw
	M400133	Door Handle	A models
22	44007703	Door Ring	G and K models
23	M400661	Screw	Door strike

* Add Letter To Designate Color. Q - Bisque W - White

N/A = Part no longer available

Door and Hinge Components - C, D and I Models

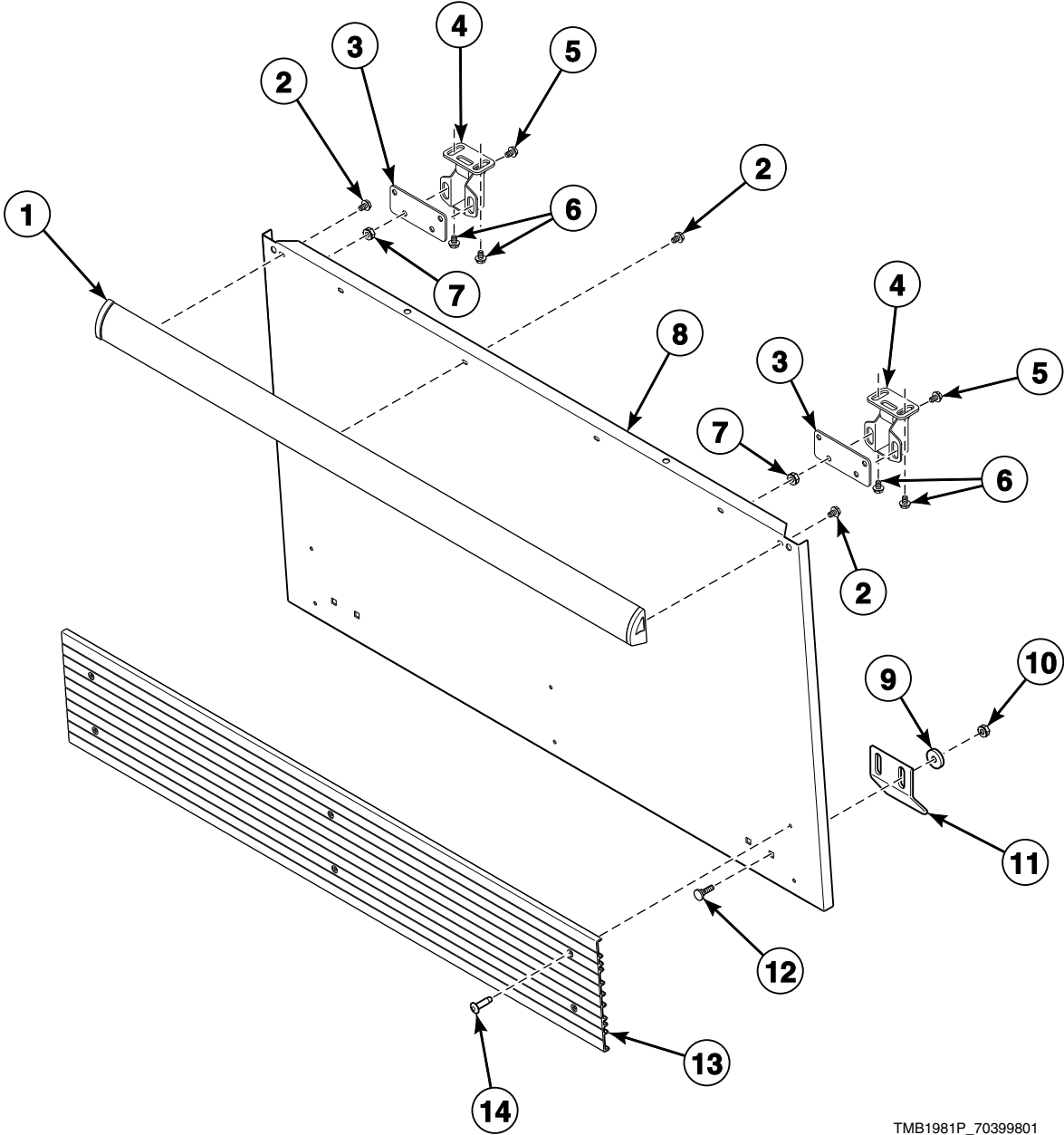


TMB2582P_70399801

Door and Hinge Components - C, D and I Models

REF	PART NO.	DESCRIPTION	COMMENTS
	M4221P4	Door Glass Installation Tool	
1	44112101	Door Assembly	
2	44008201P	Door Ring Gasket	
3	23951	Nut	6 required
4	70115902	Door Hinge	Stainless steel
5	61199	Screw	3 required, 2 in top cam and 1 in bottom
6	M400044	Screw	6 required
7	M4772P3	Cam and Hinge Kit	
8	29786	Nut	2 required
9	70033504	Screw	2 required
10	44035001	Door Hinge Lug Assembly	Includes bushings
11	44023301	Screw	4 required
12	70211902P	Door Seal Kit	
13	44008401P	Door Glass	
14	44112001	Door Ring and Handle Assembly	Includes item 18
15	800465	Washer	
16	M400661	Screw	Door strike
17	M414215	Nut	
18	44111901	Door Handle	

Lint Panel Components

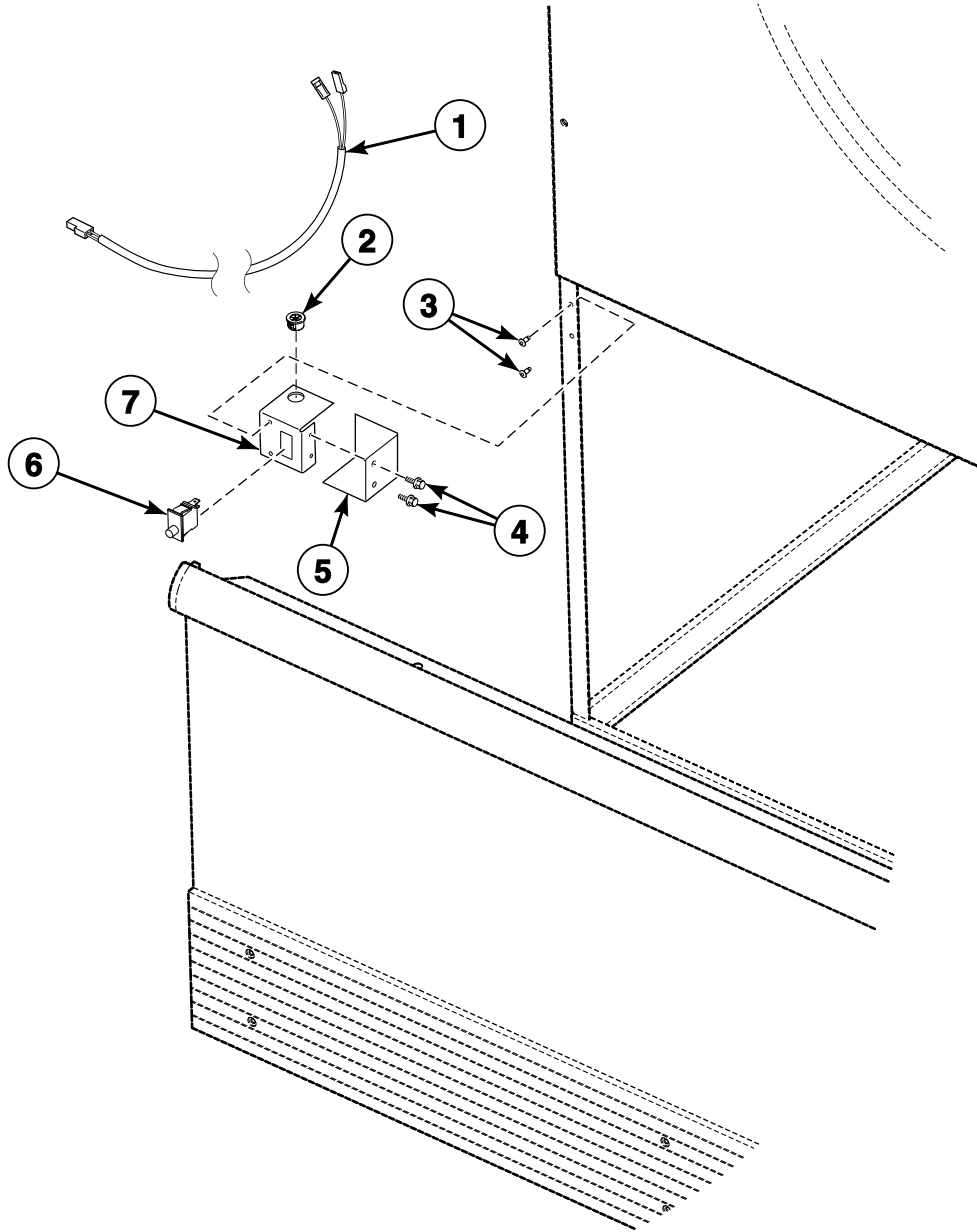


TMB1981P_70399801

Lint Panel Components

REF	PART NO.	DESCRIPTION	COMMENTS
1	44049901	Handle and Caps Assembly	A, C, D, I, L, P, S, U, W, X and Y 120 pound models; Black; Includes endcaps
	44049902	Handle and Caps Assembly	H 120 pound models; Gray; Includes endcaps
	44049903	Handle and Caps Assembly	A, C, D, I, L, P, S, U, W, X and Y 170 pound models; Black
	44049904	Handle and Caps Assembly	H 170 pound models; Gray
	70407203	Handle Bumper	G and K 120 pound models; Black and blue; Does not have endcaps
	70407204	Handle Bumper	G and K 170 pound models; Black and blue; Does not have endcaps
	2	430757	Screw
3	44014001	Roller Catch Mounting Bracket	2 required
4	H87020202	Roller Catch	2 required; Includes strike
5	61199	Screw	8 required
6	501086	Screw	4 required
7	70054	Nut	8 required
8	44012201WP	Lint Panel	120 pound models
	44012202	Lint Panel	120 pound models; Stainless steel
	44012301WP	Lint Panel	170 pound models
	44012302P	Lint Panel	170 pound models; Stainless steel
9	M405535	Washer	4 required
10	44087101	Nut	4 required
11	44017801	Lint Panel Clip	2 required
12	44017901	Bolt	4 required
13	70117609	Kickplate	A, C, D, G, I, K, L, P, S, U, W, X and Y 120 pound models; Black
	70117610	Kickplate	H 120 pound models; Gray
	70117611	Kickplate	A, C, D, G, I, K, L, P, S, U, W, X and Y 170 pound models; Black
	70117612	Kickplate	H 170 pound models; Gray
14	70126301	Pop Rivet	A, C, D, G, I, K, L, P, S, U, W, X and Y models; Black; 6 required
	70126401	Pop Rivet	H models; Gray; 6 required

Lint Panel Switch Assembly

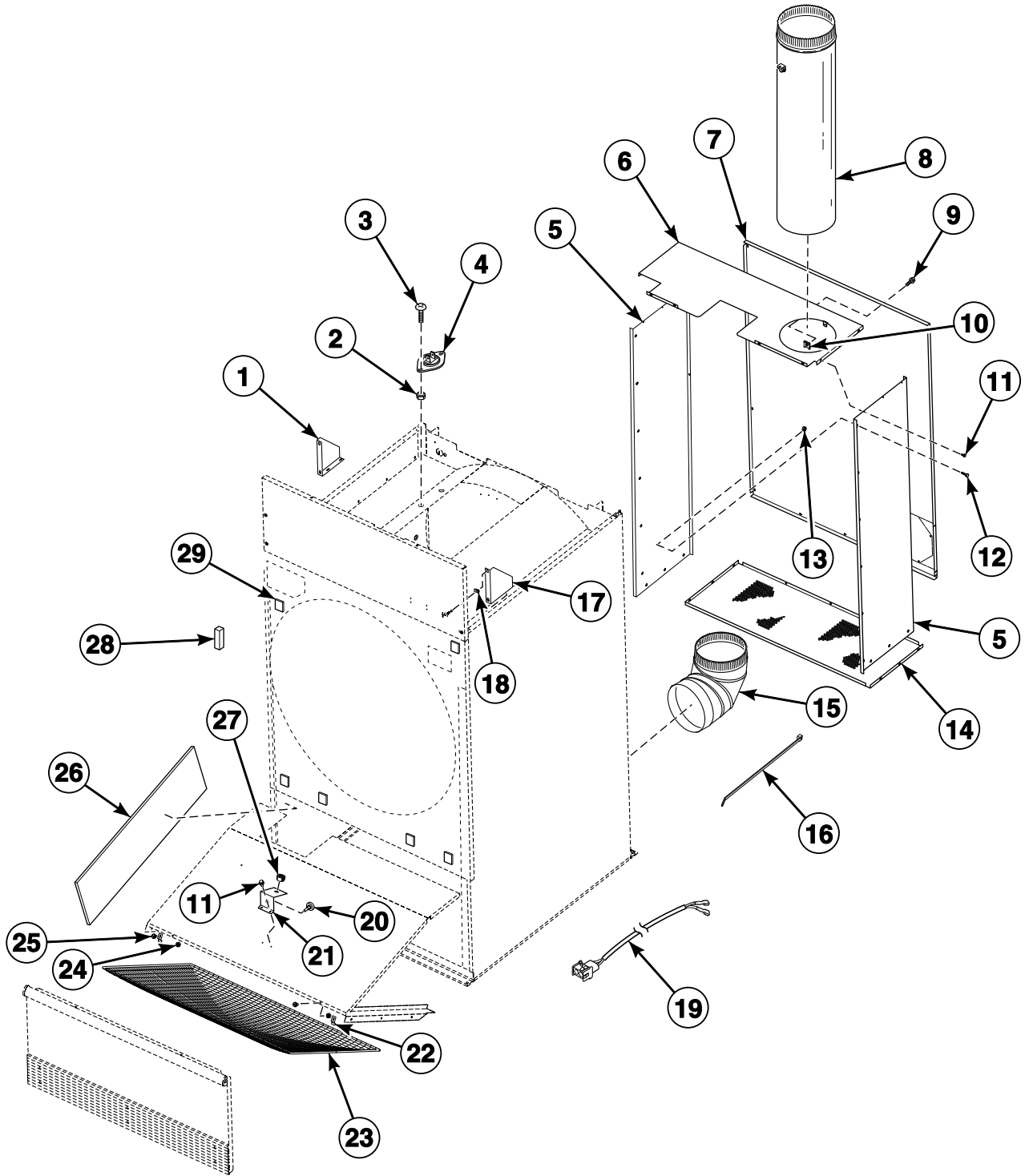


TMB2172P_70399801

Lint Panel Switch Assembly

REF	PART NO.	DESCRIPTION	COMMENTS
1	44019701P	Lint Panel Switch Harness	
2	M411537	Bushing	
3	430725	Pop Rivet	2 required
4	430497	Screw	2 required
5	44026801	Lint Panel Switch Cover	
6	70413301	Pushbutton Switch	
7	44013401	Lint Panel Switch Bracket	

Lint Screen and Drive Guard - 120 Pound Models



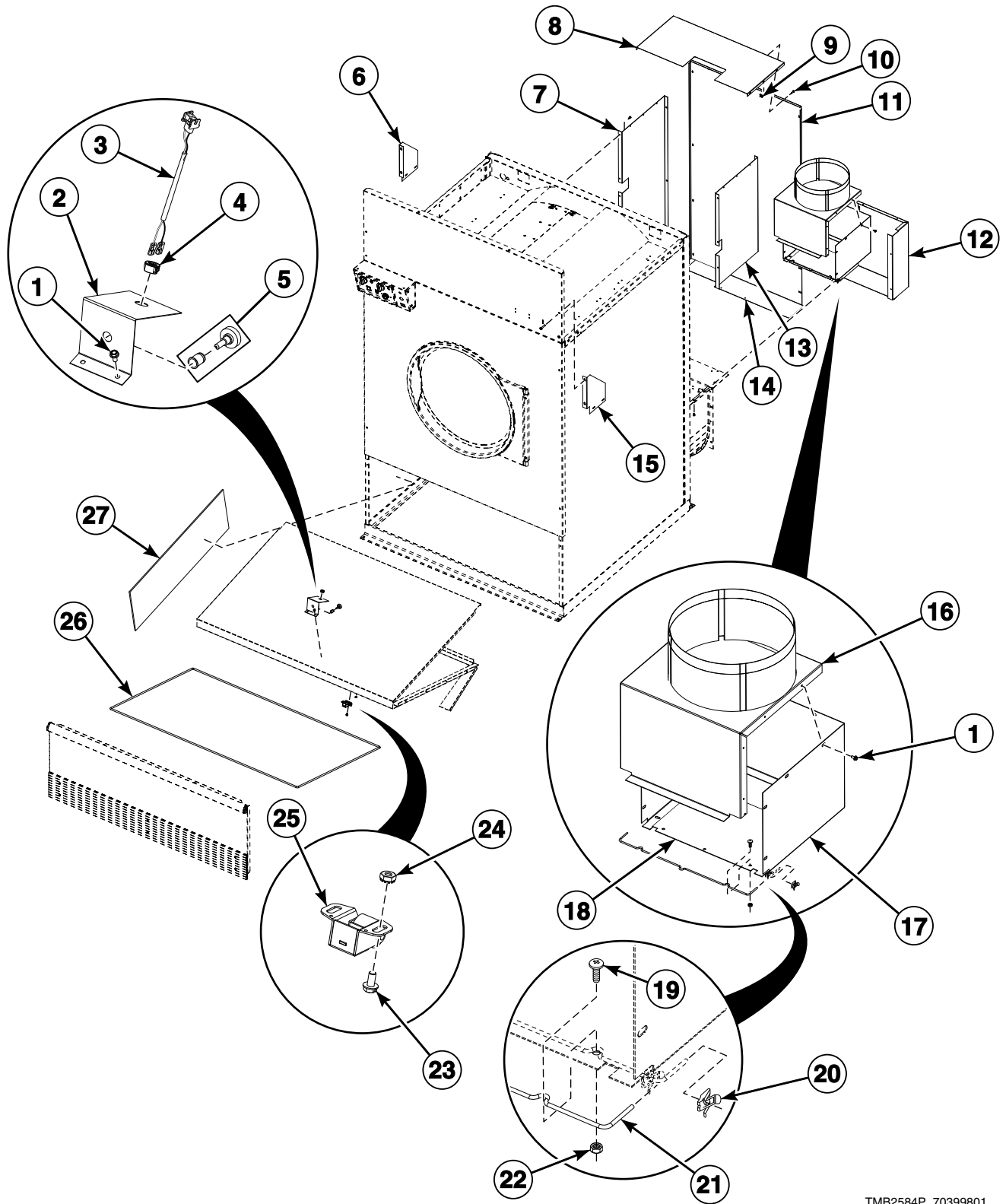
TMB2583P_70399801

Lint Screen and Drive Guard - 120 Pound Models

REF	PART NO.	DESCRIPTION	COMMENTS
1	44028202*	Top Access Panel Gusset	Left
2	23951	Nut	
3	430497	Screw	
4	44064701	Thermistor	2 required; For fire suppression system
5	M414491P	Belt Guard	Side; 2 required; Use 70015709 Gasket on edges
6	M411222	Belt Guard	Top
7	M414492P	Belt Guard	Cover
8	M411185	Vent Pipe	Gas models
	M411187	Vent Pipe	Steam models
9	M411072	Screw	
10	M400984	Clip	
11	430497	Screw	
12	M400043	Screw	
13	20274	Nut	
14	M411223P	Belt Guard	Bottom
15	H87494019	Vent Elbow	
16	M405829	Cable Tie	Required for thermistor harness
17	44028201*	Top Access Panel Gusset	Right
18	70030401	Nut	For access panel and front panel attachment
19	44016902P	Sensor Cable Harness	
20	M414704	Thermistor	
21	44051301	Thermistor Bracket Assembly	Includes bracket and thermistor nut
22	H96418413	Lint Screen Clip	
23	44063602	Lint Screen	Includes frame
	44077702P	Lint Screen	Includes snaps; Frame not included
24	70054	Nut	
25	61199	Screw	
26	M411593	Insulation	
27	M411537	Bushing	2 required for thermistor harness and cabinet rear
28	70017301	Front Panel Baffle Seal	2 required; Use under lint rails
29	M402144	Felt Pad	6 required; Behind front panel

* Add Letter To Designate Color. L - Almond Q - Bisque W - White

Lint Screen and Drive Guard - 170 Pound Models



TMB2584P_70399801

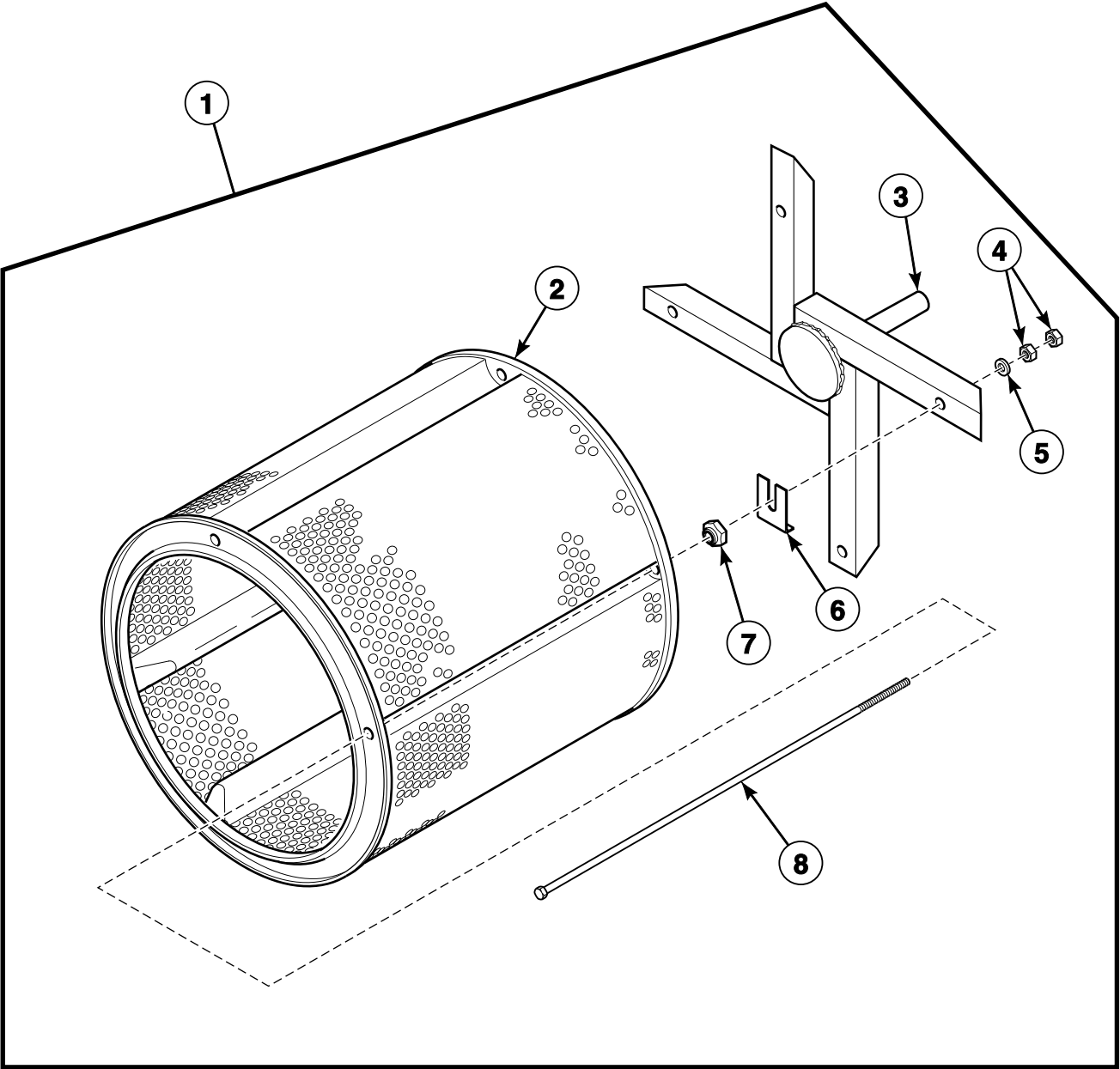
Lint Screen and Drive Guard - 170 Pound Models

REF	PART NO.	DESCRIPTION	COMMENTS
1	430497	Screw	
2	44051301	Thermistor Bracket Assembly	Includes bracket and thermistor nut
3	44016902P	Sensor Cable Harness	
4	M411537	Bushing	2 required for thermistor harness and cabinet rear
5	M414704	Thermistor	
6	44028302*	Top Access Panel Gusset	Left
7	N/A	Belt Guard Side	Left; Use 70015709 Gasket on edges
8	N/A	Belt Guard Top	
9	M400984	Clip	12 required
10	M411072	Screw	12 required
11	M414284	Belt Guard Cover	
12	N/A	Belt Guard Corner	
13	N/A	Belt Guard Side	Right
14	N/A	Belt Guard Bottom	Attach with 2 of item 1
15	44028301*	Top Access Panel Gusset	Right
16	N/A	Box and Thimble Assembly	
17	N/A	Exhaust Duct Box Wrap	
18	M413402	Damper Vane	
19	M400044	Screw	3 required
20	M400976	Clip	
21	M413401	Damper Rod	
22	23951	Nut	3 required
23	61199	Screw	
24	70054	Nut	
25	H87020202	Roller Catch	Includes strike
26	44063603P	Lint Screen	Includes frame
	44077703P	Lint Screen	Includes snaps; Frame not included
27	M411593	Insulation	

* Add Letter To Designate Color. L - Almond W - White

N/A = Part no longer available

Cylinder and Trunnion Assembly

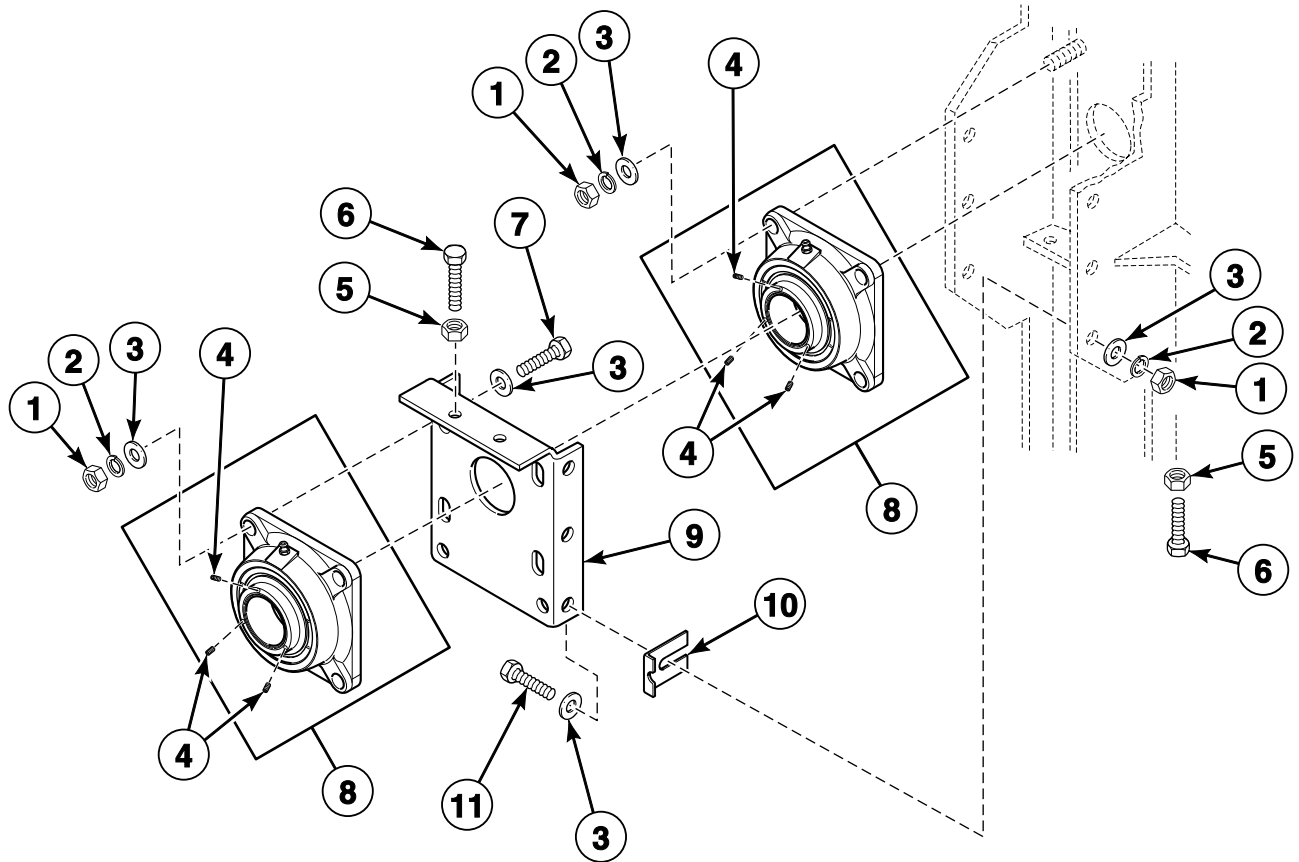


TMB1811B_70399801

Cylinder and Trunnion Assembly

REF	PART NO.	DESCRIPTION	COMMENTS
1	44054801	Cylinder and Trunnion Assembly	120 pound models; Galvanized
	44054802	Cylinder and Trunnion Assembly	120 pound models; Stainless steel
	44054701	Cylinder and Trunnion Assembly	170 pound models; Galvanized
	44054702	Cylinder and Trunnion Assembly	170 pound models; Stainless steel
2	H96427513	Cylinder Assembly	120 pound models; Galvanized; Includes rib rods and rib rod nuts
	M409788	Cylinder Assembly	120 pound models; Stainless steel; Includes rib rods and rib rod nuts
	H96367545	Cylinder Assembly	170 pound models; Galvanized; Includes rib rods and rib rod nuts
	M409826	Cylinder Assembly	170 pound models; Stainless steel; Includes rib rods and rib rod nuts
3	44055501	Trunnion Assembly	120 pound models
	44054601	Trunnion Assembly	170 pound models
4	H88412101	Nut	8 required
5	70261401	Washer	4 required
6	M401402	Spacer	As required
7	M412334	Nut	4 required
8	H8830143H	Bolt	4 required

Trunnion Bearings



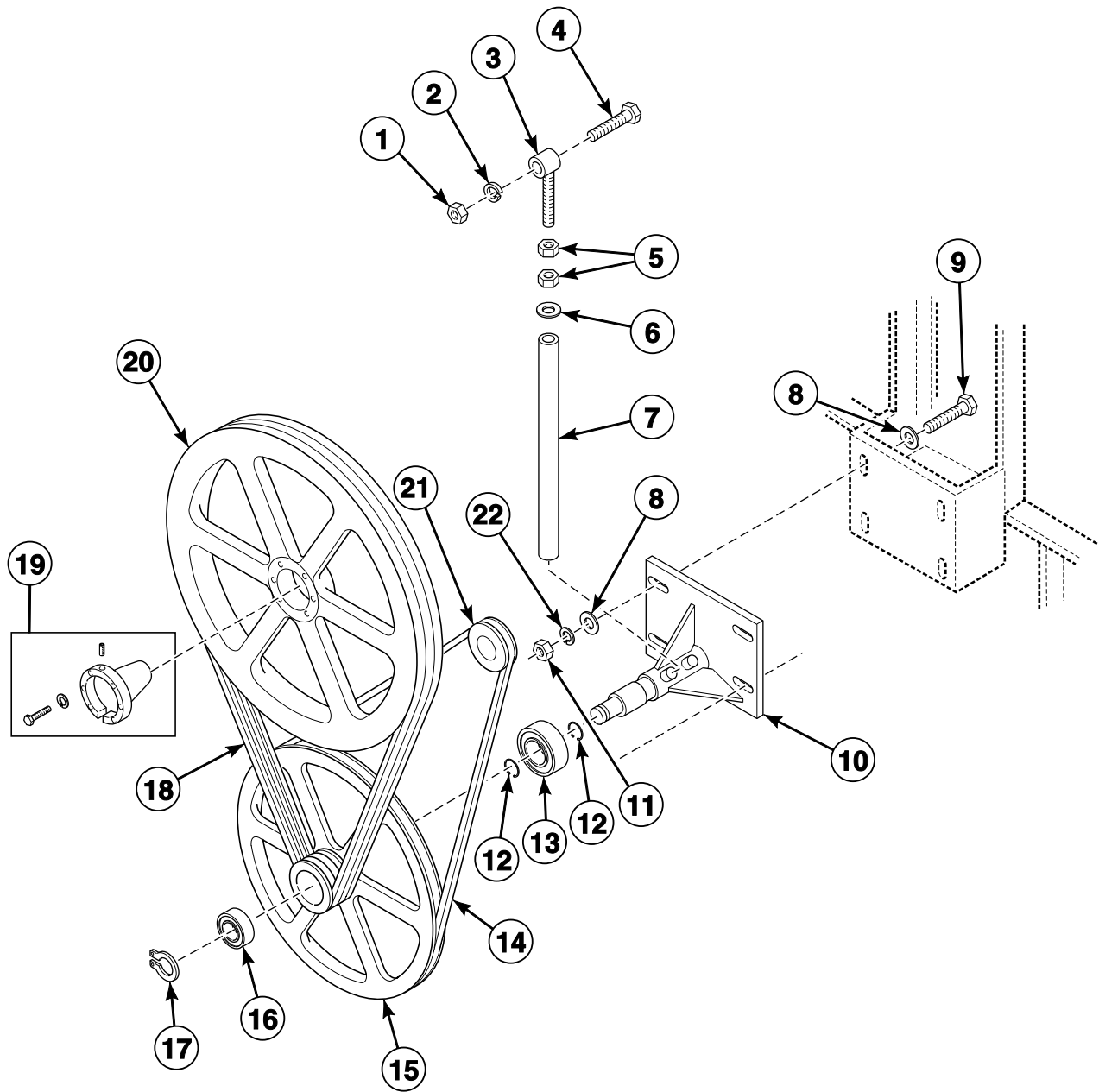
TMB2322P_70399801

Trunnion Bearings

REF	PART NO.	DESCRIPTION	COMMENTS
1	H88412101	Nut	
2	91200	Washer	
3	70261401	Washer	
4	N/A	Screw	3 per flange bearing
5	20274	Nut	
6	H88213996	Screw	
7	M411165	Screw	
8	44048301P	Flange Bearing	Includes screws
9	H96428008	Bearing Mounting	
10	M401402	Spacer	As required
11	H88012034	Screw	

N/A = Part no longer available

Drive Sheave, Step Pulley and Belts



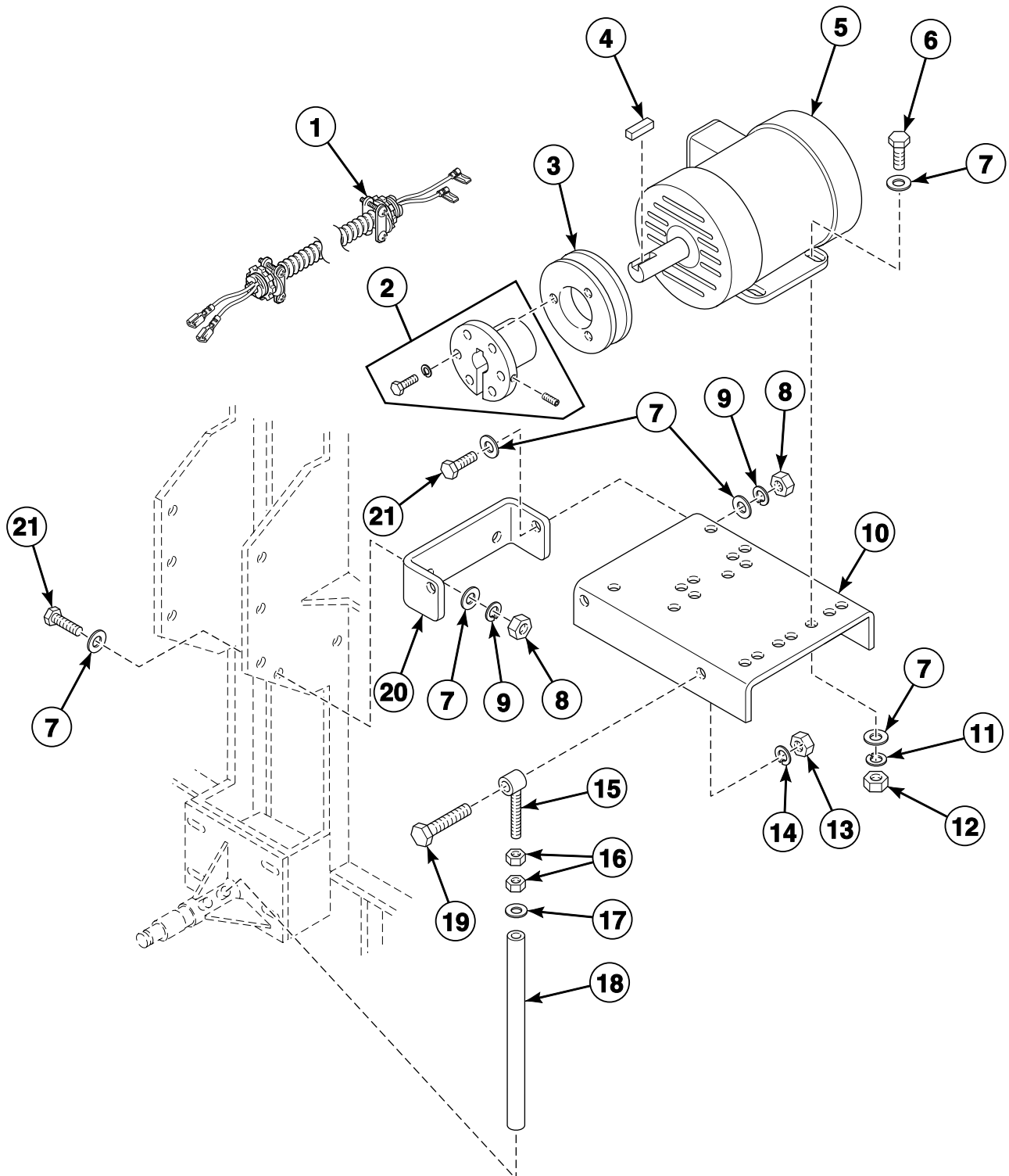
TMB2585P_70399801

Drive Sheave, Step Pulley and Belts

REF	PART NO.	DESCRIPTION	COMMENTS
1	H88412093	Nut	Models through 9/7/08
	H88412101	Nut	Models starting 9/8/08
2	N/A	Washer	
3	44048501	Rod End	Eyebolt assembly
4	H88001565	Screw	Models through 9/7/08
	M400063	Screw	Models starting 9/8/08
5	H88412101	Nut	
6	70261401	Washer	
7	H96428487	Belt Adjustment Tube	
8	M400081	Washer	8 required
9	22688	Screw	4 required
10	H96357751	Jackshaft Assembly	
11	20274	Nut	4 required
12	H88603477	Retaining Ring	Step pulley bearings stops; 2 required
13	H87672374	Ball Bearing	Inner; Step pulley
14	H87533014	Belt	
15	M4696P3	Step Pulley and Bearing Kit	Includes H96428024 Step Pulley, M414321 Spacer, M4718P3 Step Pulley Outer Bearing Kit and items 12, 13 and 16
16	M414367	Ball Bearing	Outer
17	H88602263	Retaining Ring	Step pulley to jackshaft
18	H87533816P	Belt Set	Set of 3
19	H8752985HP	Bushing	Includes M400014 Washer, 44048902 Screw and 44079204 Screw
20	H8752251H	Sheave	
21	H87520334	Sheave	120 pound models; 50 Hertz; 3.35 inch OD
	H87520466	Sheave	120 pound models; 60 Hertz; 4.12 inch OD
	H8752026H	Sheave	170 pound models; 50 Hertz; 2.65 inch OD
	H87520334	Sheave	170 pound models; 60 Hertz; 3.35 inch OD
22	M400014	Washer	4 required

N/A = Part no longer available

Cylinder Drive Motor



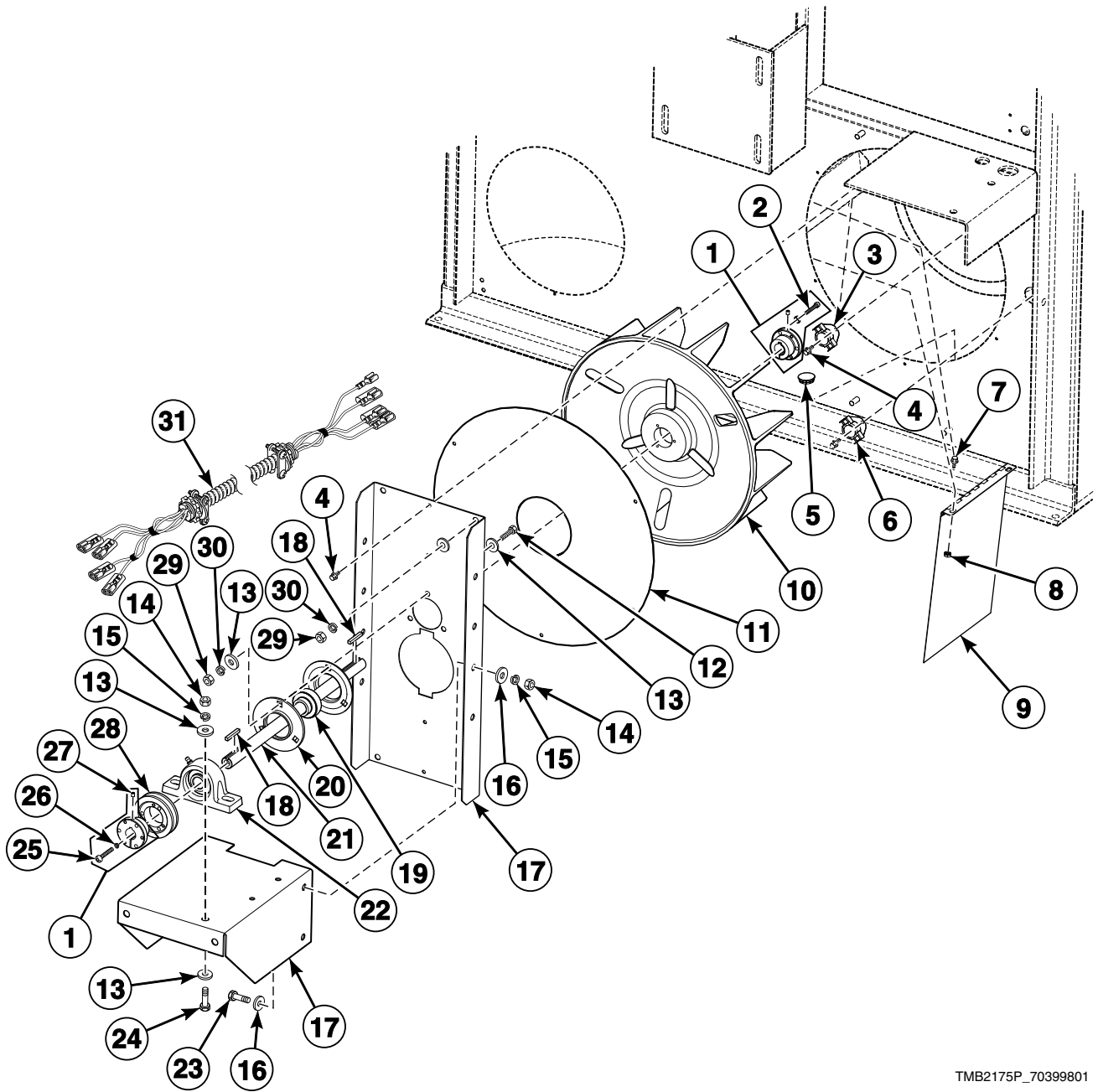
TMB2174P_70399801

Cylinder Drive Motor

REF	PART NO.	DESCRIPTION	COMMENTS
1	N/A	Cylinder Motor Harness	Non-CE models; 3 Phase
	M413110	Cylinder Motor Harness Assembly	CE models; 3 Phase
2	H87529129P	Bushing	60 Hertz; Includes 44079301 Screw, 44048901 Screw and 56552 Washer; Key not included
	H87529111P	Bushing	50 Hertz; Includes 44079301 Screw, 44048901 Screw and 56552 Washer; Key not included
3	H87520466	Sheave	60 Hertz; 120 pound models; 4.12 inch OD
	H87520334	Sheave	50 Hertz 120 pound models; 60 Hertz 170 pound models; 3.35 inch OD
	H8752026H	Sheave	50 Hertz; 170 pound models; 2.65 inch OD
4	H8752006H	Key	
5	44052901P	Motor	208-460 Volt/60 Hertz/3 Phase; Includes key; No capacitor
	44053001P	Motor	200-415 Volt/50 Hertz/3 Phase; Includes key; No capacitor
6	M400056	Screw	
7	M400080	Washer	
8	20274	Nut	
9	M400014	Washer	
10	M413171	Motor Base	
11	M400013	Washer	
12	70142	Nut	
13	H88412093	Nut	Models through 9/7/08
	H88412101	Nut	Models starting 9/8/08
14	N/A	Washer	
15	44048501	Rod End	Eyebolt assembly
16	H88412101	Nut	
17	70261401	Washer	
18	N/A	Belt Adjustment Tube	
19	H88001565	Screw	Models through 9/7/08
	M400063	Screw	Models starting 9/8/08
20	H96428693	Base Bracket	
21	22688	Screw	

N/A = Part no longer available

Fan Assembly - 120 Pound 50 Hertz Models



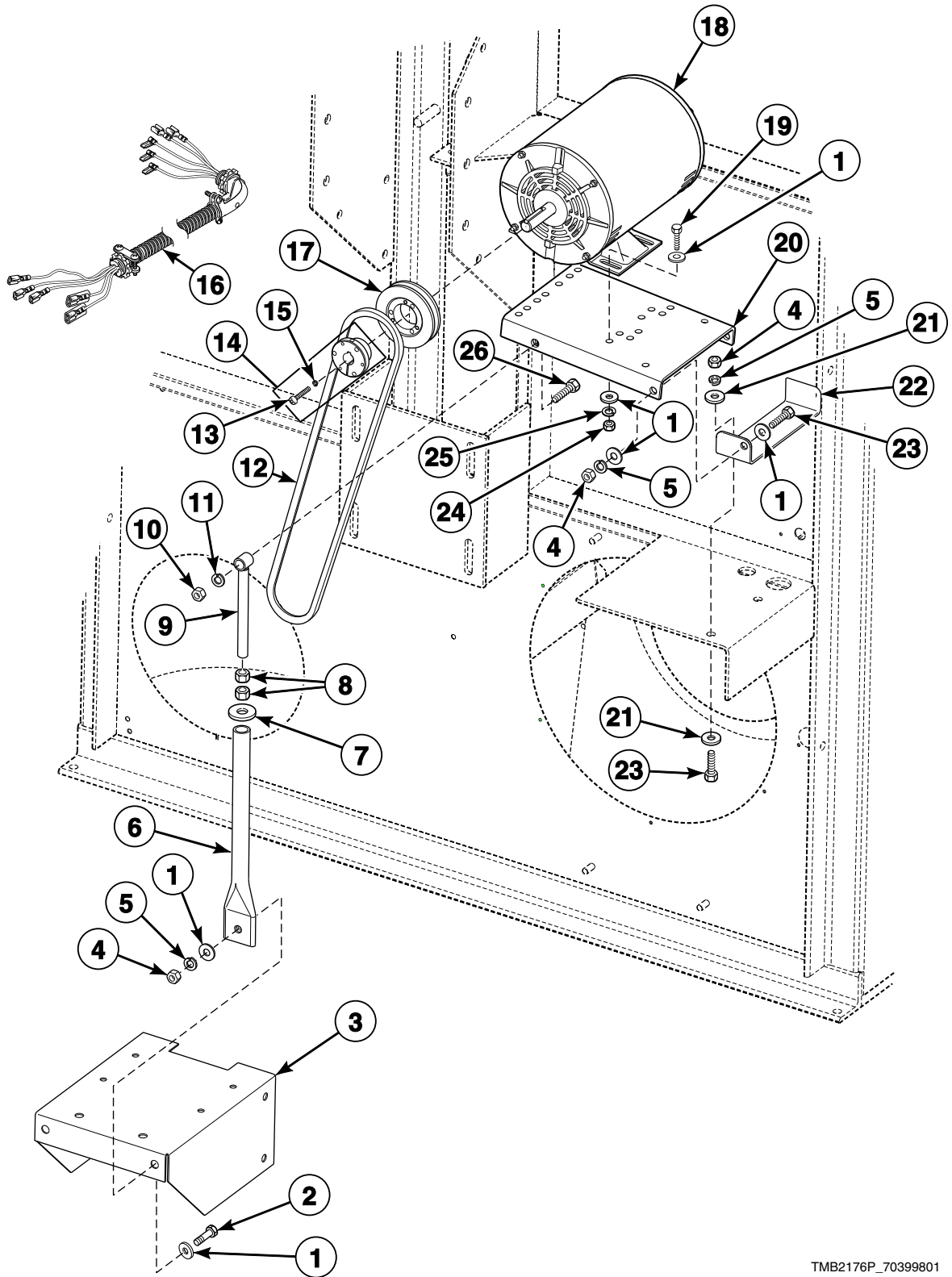
TMB2175P_70399801

Fan Assembly - 120 Pound 50 Hertz Models

REF	PART NO.	DESCRIPTION	COMMENTS
1	M412917P	Bushing	2 required; Includes screws and washers; Key not included
2	H8800901H	Screw	3 required
3	M411403	Limit Thermostat	Gas models
	M411946	Limit Thermostat	D Australian and CE gas models: CA, CU, GA, GU, HA, HU, KA, KU, LA, LU, PA, PU, SA, SU, UA, UU and XU gas models; Manual reset
4	430497	Screw	
5	M400985	Plug	
6	H8900530H	Thermostat	Load ready; Models with RT control suffix; Non-functional on models with RM and RQ control suffixes
7	61199	Screw	
8	70054	Nut	
9	M409967	Damper Assembly	
10	M414546	Fan and Bushing Assembly	Discard bushing on 50 Hertz models
11	H96358007	Blower Cover	
12	M400056	Screw	3 required
13	M400080	Washer	10 required
14	20274	Nut	6 required
15	M400014	Washer	4 required
16	M400081	Washer	8 required
17	H608P3	Blower Motor Base Kit	
18	H8752006H	Key	2 required
19	H8768212H	Ball Bearing Insert	
20	H8768302H	Bearing Mounting Flangette	2 required
21	M412000	Blower Shaft	
22	44104801	Ball Bearing	
23	M400043	Screw	4 required
24	22688	Screw	2 required
25	44079301	Screw	3 required
26	56552	Washer	6 required
27	44048901	Screw	
28	H87520284	Sheave	2.8 inch OD
29	70142	Nut	3 required
30	M400013	Washer	3 required
31	44022701	Cabinet Limit Harness	Non-CE gas models
	M414261	Cabinet Limit Harness Assembly	CU, GU, HU, KU, LU, PU, SU, UU, XU and YU models; RM and RQ control suffixes
	N/A	Limit Harness	HU, PU, SU, UU and XU models; RT control suffix
	44108101P	Cabinet Limit Harness	A, CA, CT, GA, GT, HA, HT, I, KA, KT, LA, LT, PA, PT, SA, ST, UA, UT, W, XT and YT models; RM and RQ control suffixes; Models starting 7/24/06

N/A = Part no longer available

Fan Motor Assembly - 120 Pound 50 Hertz Models



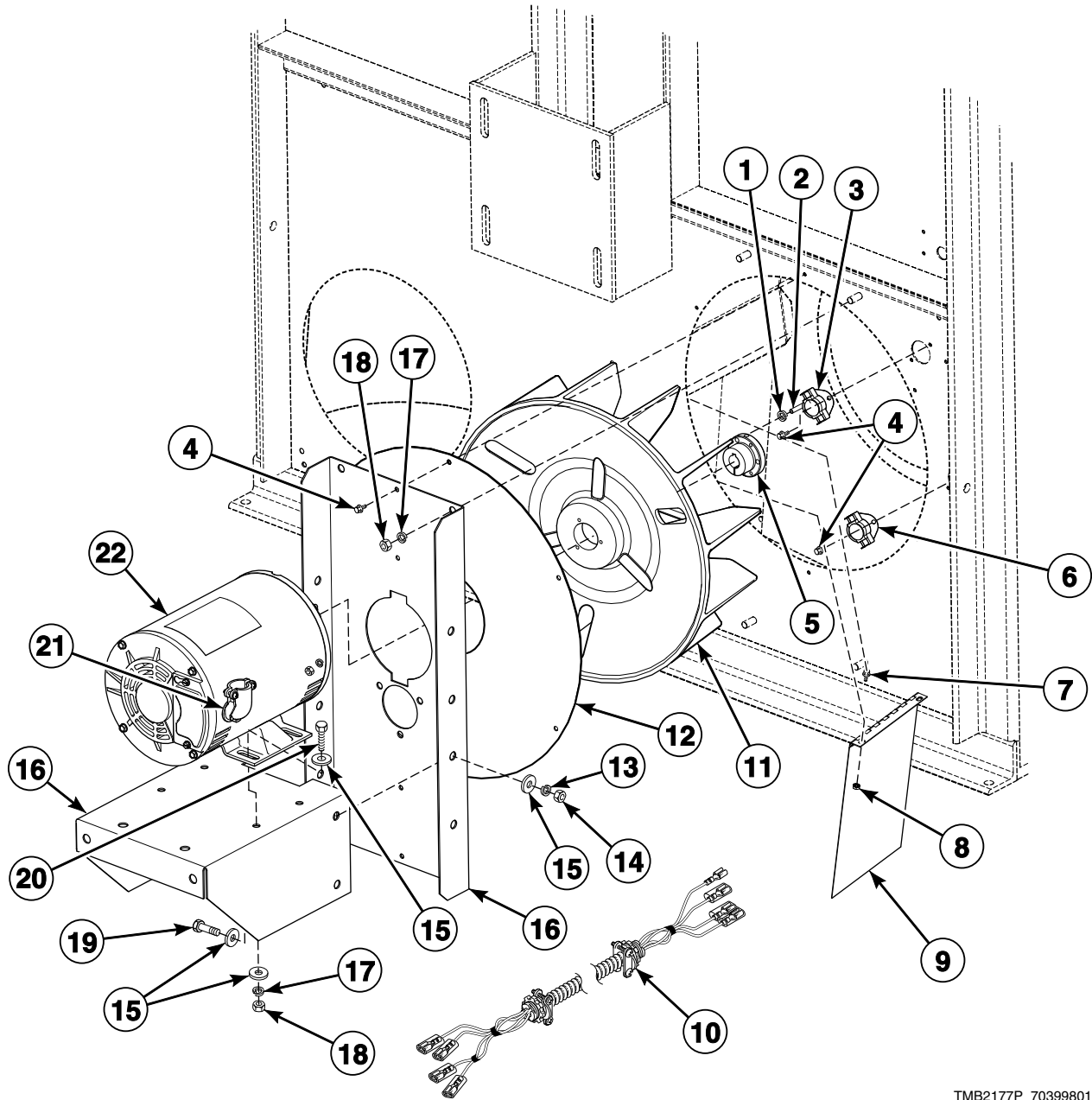
TMB2176P_70399801

Fan Motor Assembly - 120 Pound 50 Hertz Models

REF	PART NO.	DESCRIPTION	COMMENTS
1	M400080	Washer	
2	M400043	Screw	
3	H608P3	Blower Motor Base Kit	Bracket
4	20274	Nut	
5	M400014	Washer	
6	H96428628	Motor Adjustment Tube	
7	70261401	Washer	
8	H88412101	Nut	
9	44048501	Rod End	Eyebolt assembly; Belt adjuster
10	H88412093	Nut	
11	N/A	Washer	
12	H8753170H	Belt	
13	44079301	Screw	3 required
14	H87529111P	Bushing	Includes screws and washers; Key not included
15	56552	Washer	3 required
16	44022401	Fan Motor Harness	Non-CE models
	M413111	Fan Motor Harness Assembly	CE models
17	H87520334	Sheave	3.35 inch OD
18	44046401P	Fan Motor	200, 240, 380 and 415 Volt; No capacitor
19	M400056	Screw	
20	M413171	Motor Base	
21	M400081	Washer	
22	H96428693	Base Bracket	
23	22688	Screw	
24	70142	Nut	
25	M400013	Washer	
26	H88001565	Screw	

N/A = Part no longer available

Fan and Fan Motor Assembly - 120 Pound 60 Hertz Models

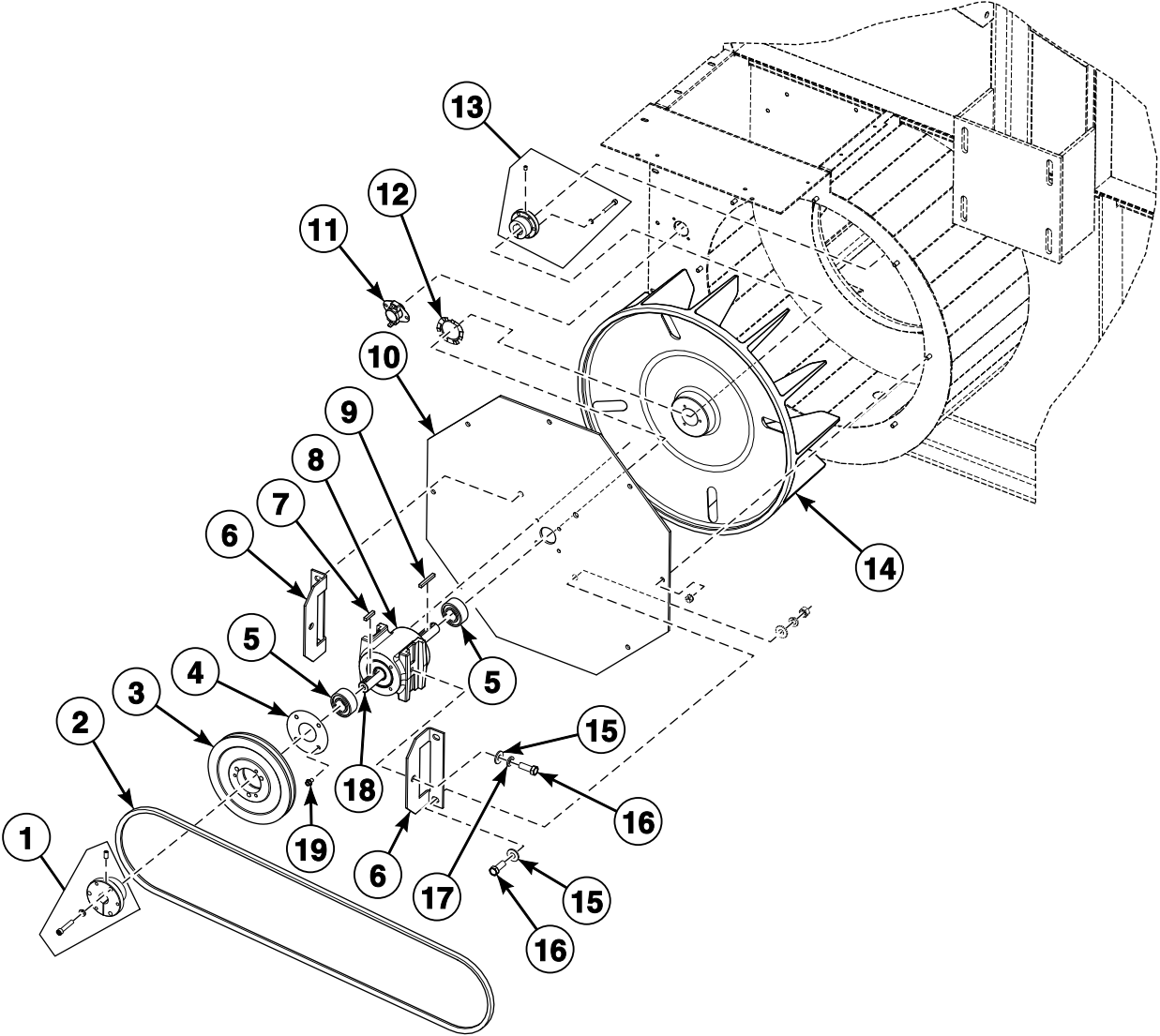


TMB2177P_70399801

Fan and Fan Motor Assembly - 120 Pound 60 Hertz Models

REF	PART NO.	DESCRIPTION	COMMENTS
1	56552	Washer	
2	H8800901H	Screw	3 required; Fan bushing
3	M411403	Limit Thermostat	
4	430497	Screw	
5	H87529111P	Bushing	Includes screws and washers; Key not included
6	H8900530H	Thermostat	Load ready; Models with RT control suffix; Non-functional on models with RM and RQ control suffixes
7	61199	Screw	
8	70054	Nut	
9	M409967	Damper Assembly	
10	44022701	Cabinet Limit Harness	Gas models except L models through 7/26/06
	44108101P	Cabinet Limit Harness	Models starting 7/26/06
11	M414546	Fan and Bushing Assembly	Included with item 5 and hardware
12	H96358007	Blower Cover	
13	M400014	Washer	
14	20274	Nut	
15	M400080	Washer	
16	H608P3	Blower Motor Base Kit	
17	M400013	Washer	
18	70142	Nut	
19	M400043	Screw	4 required
20	M400056	Screw	4 required
21	M403862	Connector	
22	44046301P	Motor	200-208, 240, 460-480 Volt; No capacitor

Fan Assembly - 170 Pound Models

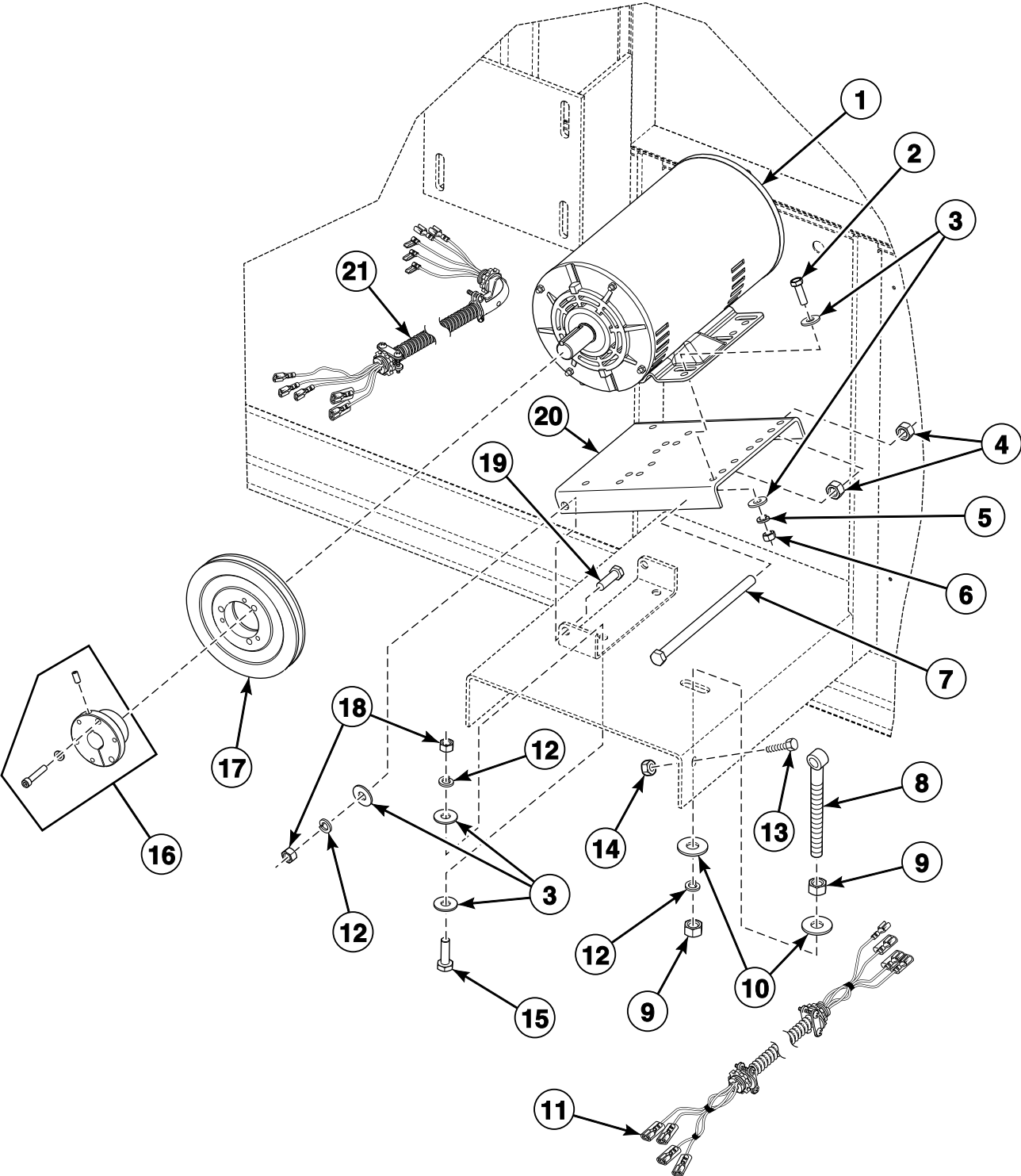


TMB2586P_70399801

Fan Assembly - 170 Pound Models

REF	PART NO.	DESCRIPTION	COMMENTS
	M412630	Idler Housing Assembly	Includes items 5, 8 and 18
	M4680P3	Fan Bearing Conversion Kit	
1	H8752922HP	Bushing	Includes 44079202 Screw, 03189 Washer and 44048902 Screw
2	H87532685	Belt	
3	H8752060H	Sheave	6 inch OD; 50 Hertz
	H8752065H	Sheave	6.5 inch OD; 60 Hertz
4	M401370	Bearing Retainer	
5	M401375P	Ball Bearing	2 required for item 8
6	M414235	Fan Bearing Bracket	2 required
7	M401327	Key	
8	M412612	Idler Housing	
9	M400993	Key	
10	M414237	Blower Cover	
11	M411403	Limit Thermostat	184 closed
	M411946	Limit Thermostat	184 closed; Manual reset; D Australian and CE models; CA, CU, GA, GU, HA, HU, KA, KU, LA, LU, PA, PU, SA, SU, UA, UU and XU models
	H8900530H	Thermostat	135 closed; Models with RT control suffix; Non-functional on models with RM and RQ control suffixes
12	M400401	Loading Spring	
13	M412917P	Bushing	Includes 44079301 Screw, 56552 Washer and 44048901 Screw
14	H96368469	Fan	
15	M400080	Washer	
16	M400043	Screw	6 required
17	M400014	Washer	
18	M414241	Idler Shaft	
19	70187202	Screw	8 required

Fan Motor Assembly - 170 Pound Models



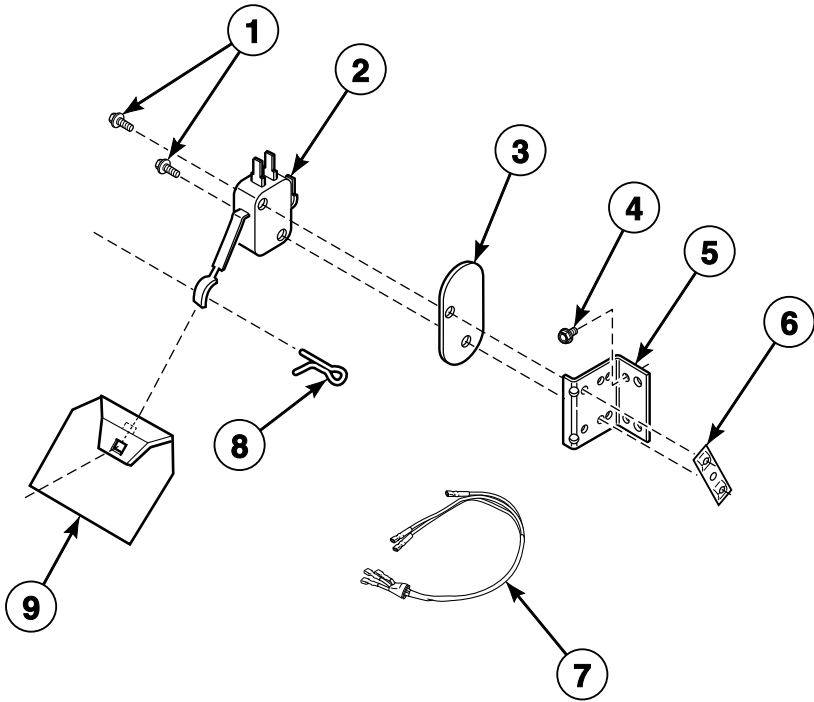
TMB2587P_70399801

Fan Motor Assembly - 170 Pound Models

REF	PART NO.	DESCRIPTION	COMMENTS
1	44046501P	Fan Motor	3 hp; 200-208, 240 Volt/60 Hertz/3 Phase; 460-480 Volt/60 Hertz/3 Phase; Key included; No capacitor
	44046601P	Motor	3 hp; 380, 400-415 Volt/50 Hertz/3 Phase; Key included; No capacitor
2	M400056	Screw	4 required
3	M400080	Washer	
4	H88412093	Nut	2 required; Models through 9/7/08
	H88412101	Nut	2 required; Models starting 9/8/08
5	M400013	Washer	4 required
6	70142	Nut	4 required
7	M413528	Screw	Models through 9/7/08
	44161501	Screw	Models starting 9/8/08
8	44048501	Rod End	
9	H88412101	Nut	2 required
10	70261401	Washer	2 required
11	44022701	Cabinet Limit Harness	Non-CE models
	M414261	Cabinet Limit Harness Assembly	CU, GU, HU, KU, LU, PU, SU, UU and XU models; RM and RQ control suffixes
	N/A	Limit Harness	HU, PU, SU, UU and XU models; RT control suffix
	44108101P	Cabinet Limit Harness	A, CA, CT, GA, GT, HA, HT, I, KA, KT, LA, LT, PA, PT, SA, ST, UA, UT, W, XT and YT models; RM and RQ control suffixes; Models starting 7/26/06
12	M400014	Washer	
13	H88010038	Screw	Belt motor to fan motor base
14	29786	Nut	Belt motor to fan motor base
15	22688	Screw	4 required
16	M412995P	Bushing	Includes 44079202 Screw, 03189 Washer and 44048902 Screw
17	H8752065H	Sheave	6.5 inch OD; 50 Hertz
	H8752060H	Sheave	6 inch OD; 60 Hertz
18	20274	Nut	4 required
19	H96428693	Base Bracket	
20	M413171	Motor Base	
21	N/A	Fan Motor Harness Assembly	D CE models; GU, HU, KU, LU, PU, SU, UU and XU models

N/A = Part no longer available

Airflow Switch Assembly



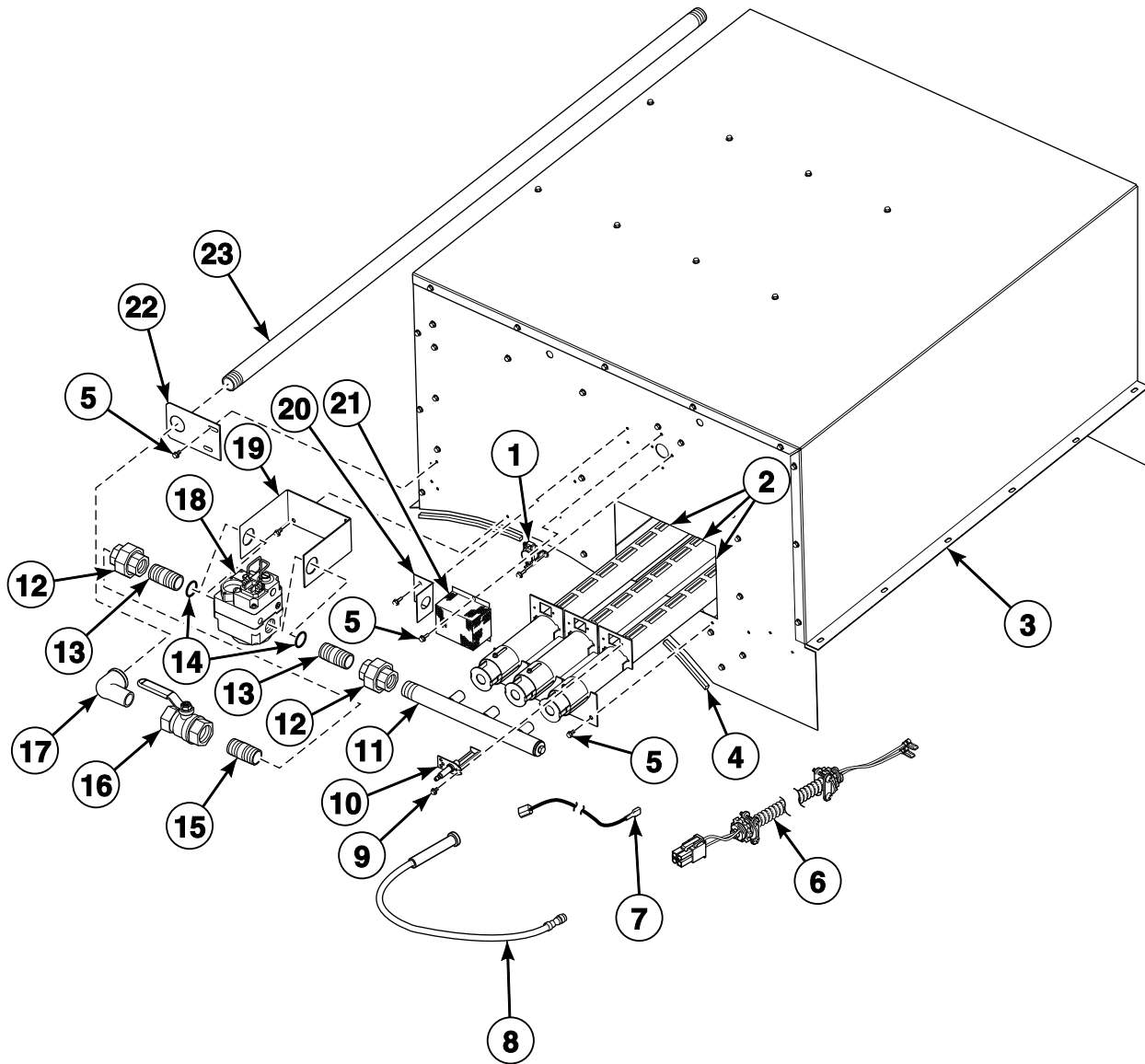
TMB2194P_70399801

Airflow Switch Assembly

REF	PART NO.	DESCRIPTION	COMMENTS
1	M401938	Screw	
2	44021701	Lever Arm Switch	
3	H96418728	Mounting Insulation	
4	430497	Screw	
5	430370	Airflow Switch Bracket	
6	M400979	Nut	
7	M413042P	Airflow Switch Harness Assembly	Non-CE models
	N/A	Airflow Switch Harness Assembly	CE models
8	02470	Cotter Pin	
9	430372	Airflow Switch Vane	

N/A = Part no longer available

Gas Heater Components - 120 Pound Models

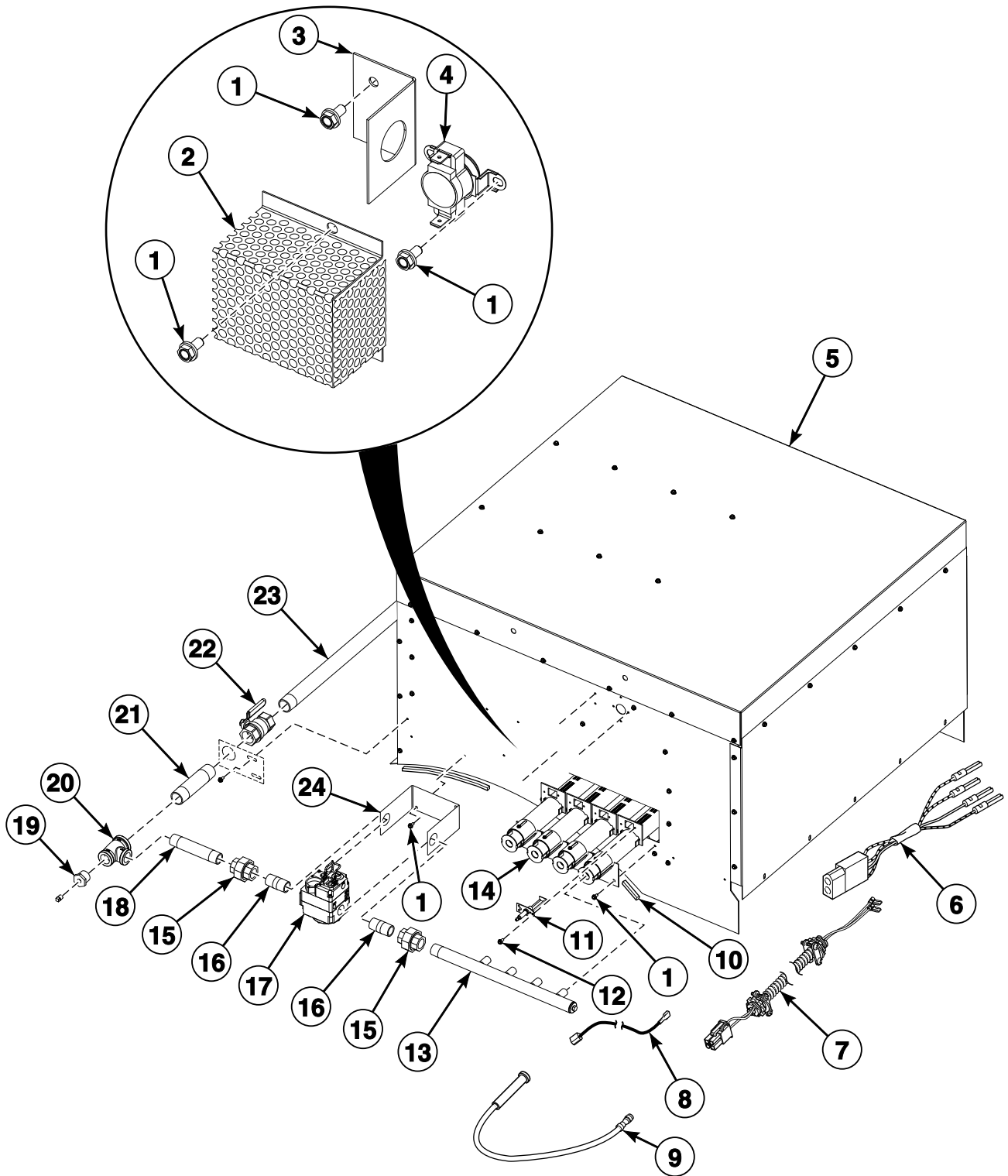


TMB2588P_70399801

Gas Heater Components - 120 Pound Models

REF	PART NO.	DESCRIPTION	COMMENTS
	M4577P3	Conversion Kit	Natural Gas (N.G.) to Liquid Petroleum Gas (L.P.); Non-CE models; 50 and 60 Hertz models through 10/9/08 and 60 Hertz models starting 10/10/08
	M4973P3	L.P. Gas Conversion Kit	N.G. to L.P.; Non-CE models; 50 Hertz models starting 10/10/08
	M411506	Stove Partition Gasket	Order 3 feet
	M411592	Insulation	Top right; Used inside item 3
1	M411404	Stove Limit Thermostat	Non-CE and non-Australian models
	M413988	Thermostat	D Australian and CE models; CA, CU, GA, GU, HA, HU, KA, KU, LA, LU, PA, PU, SA, SU, UA, UU and XU models; Resettable
2	M412025P	Burner	Australian models order 2, in addition to 1 of M414243 Burner; All other models order 3
	M414243	Burner	Australian models order 1, in addition to 2 of M412025 Burner
3	M411097	Stove Assembly	
4	M411505	Stove Gasket	Order 3 feet
5	430497	Screw	18 required
6	M413104P	Stove Limit Harness Assembly	
7	M411061	ICM Return Lead	Australian models
8	44061602P	High Temperature Ignition Lead	Non-Australian models
	44061605P	High Temperature Ignition Lead	Australian models
9	56693	Screw	2 required
10	M406934P	Spark Igniter	Non-Australian models
	M410905P	Spark Igniter	Australian models
11	M411254	Spud Holder	
12	M411419	Pipe Union	2 required
13	M411417	Nipple	2 required
14	M412158	Gas Valve Flange Gasket	D CE models; CU, GU, HU, KU, LU, PU, SU, UU and XU models; 50 Hertz
15	M411418	Pipe Nipple	
16	M413016	Ball Valve	
17	M411264	Street Elbow	
18	M4904P3	Valve Replacement Kit	N.G. and L.P.; 50 Hertz; D CE models; CU, GU, HU, KU, LU, PU, SU, UU and XU models
	M413470P	Gas Valve	N.G.; 60 Hertz; Non-CE and non-Australian models
	M4883P3	Gas Valve Kit	L.P.; 60 Hertz; Non-CE and non-Australian models
	44166701	Gas Valve	N.G.; Non-CE models; 50 Hertz models starting 10/10/08
	44166702	Gas Valve	L.P.; Non-CE models; 50 Hertz models starting 10/10/08
	M4951P3	Gas Valve Kit	N.G.; 50 Hertz models through 10/10/08
	M4952P3	Gas Valve Kit	L.P.; 50 Hertz models through 10/10/08
	44042901P	Gas Valve Coil	Main coil for M413470P Gas Valve
19	M411259	Gas Valve Bracket	Non-CE models
	M413019	Gas Valve Bracket	D CE models; CU, GU, HU, KU, LU, PU, SU, UU and XU models
20	431078	Stove Limit Harness Bracket	
21	M414477	Thermostat Cover	
22	M411498	Pipe Bracket	2 required
23	M411265	Gas Pipe	

Gas Heater Components - Non-CE 170 Pound Models



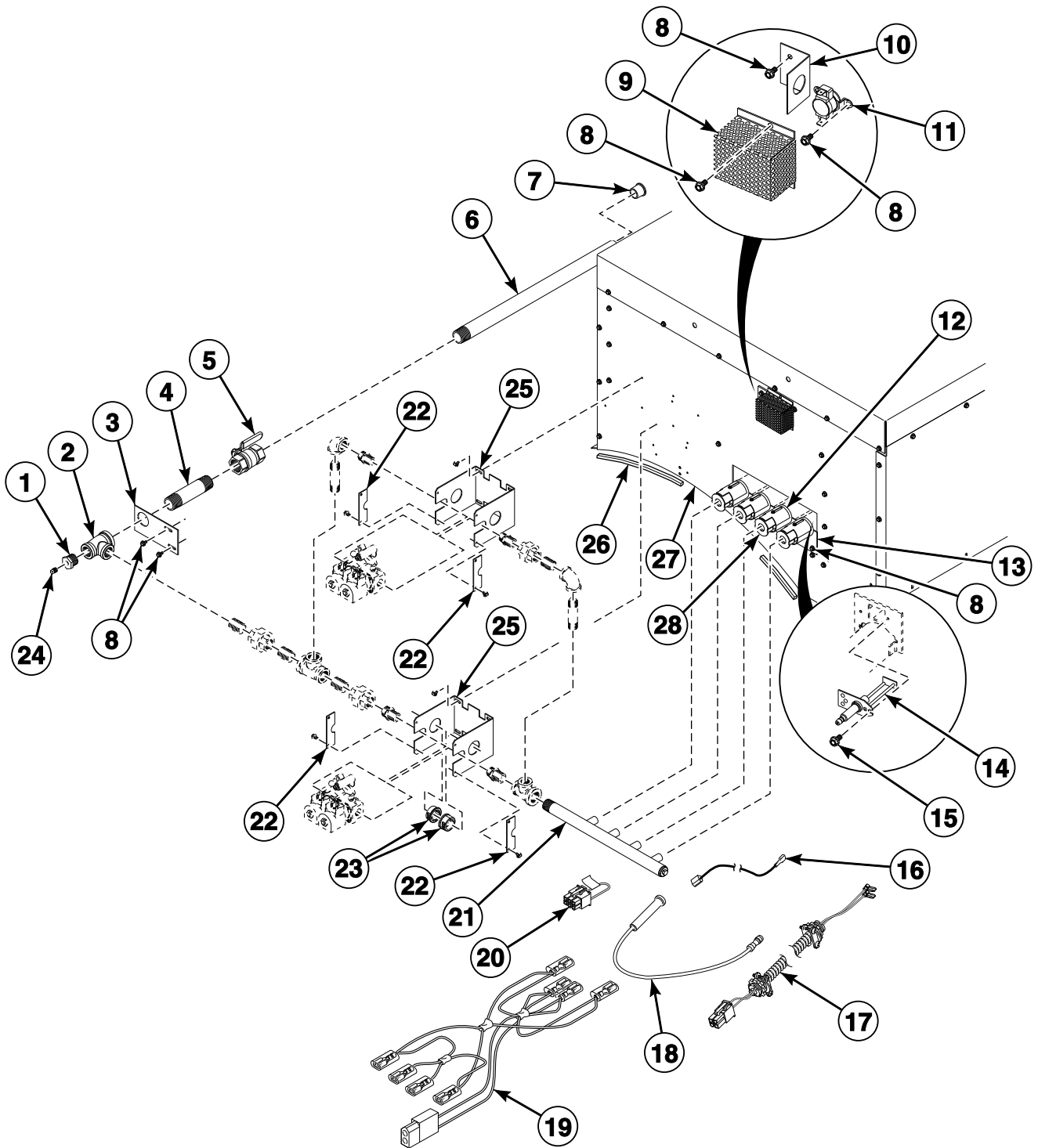
TMB2589P_70399801

Gas Heater Components - Non-CE 170 Pound Models

REF	PART NO.	DESCRIPTION	COMMENTS
	M4592P3	L.P. Conversion Kit	Natural Gas (N.G.) to Liquid Petroleum Gas (L.P.); 50 and 60 Hertz models through 10/9/08 and 60 Hertz models starting 10/10/08
	M4974P3	L.P. Gas Conversion Kit	N.G. to L.P.; 50 Hertz models starting 10/10/08
	M411506	Stove Partition Gasket	Order 3 feet
1	430497	Screw	20 required
2	M414477	Thermostat Cover	
3	431078	Stove Limit Harness Bracket	
4	M411404	Stove Limit Thermostat	220 closed; N.G.; Non-CE and non-Australian models
	431177	Stove Limit Thermostat	340 closed; L.P.; Non-CE and non-Australian models
	M413988	Thermostat	220 closed; Manual reset; N.G.; Australian models
	M413989	Manual Reset Thermostat	340 closed; L.P.; Australian models
5	M412016	Stove Assembly	Sheet metal only
6	44166901	Gas Valve Harness	
7	M413041	Stove Limit Harness Assembly	
8	M411061	ICM Return Lead	Australian models
9	44061602P	High Temperature Ignition Lead	Non-CE and non-Australian models
	44061605P	High Temperature Ignition Lead	Australian models
10	M411505	Stove Gasket	
11	M406934P	Spark Igniter	
12	56693	Screw	2 required
13	M411736	Spud Holder	
14	M412025P	Burner	4 required
15	M411419	Pipe Union	
16	M411417	Nipple	
17	M413470P	Gas Valve	N.G.; 60 Hertz; Non-CE and non-Australian models
	M4883P3	Gas Valve Kit	L.P.; 60 Hertz; Non-CE and non-Australian models
	44166701	Gas Valve	N.G.; 50 Hertz models starting 10/10/08
	44166702	Gas Valve	L.P.; 50 Hertz models starting 10/10/08
	M4951P3	Gas Valve Kit	N.G.; 50 Hertz models through 10/10/08
	M4952P3	Gas Valve Kit	L.P.; 50 Hertz models through 10/10/08
18	H85101673	Nipple	
19	M413021	Bushing	
20	N/A	Reducing Tee	
21	M413023	Pipe Nipple	Gas inlet
22	M413017	Ball Valve	
23	N/A	Gas Inlet Pipe	
24	M411259	Gas Valve Bracket	

N/A = Part no longer available

Gas Heater Components - CE 170 Pound Models (Drawing 1 of 2)



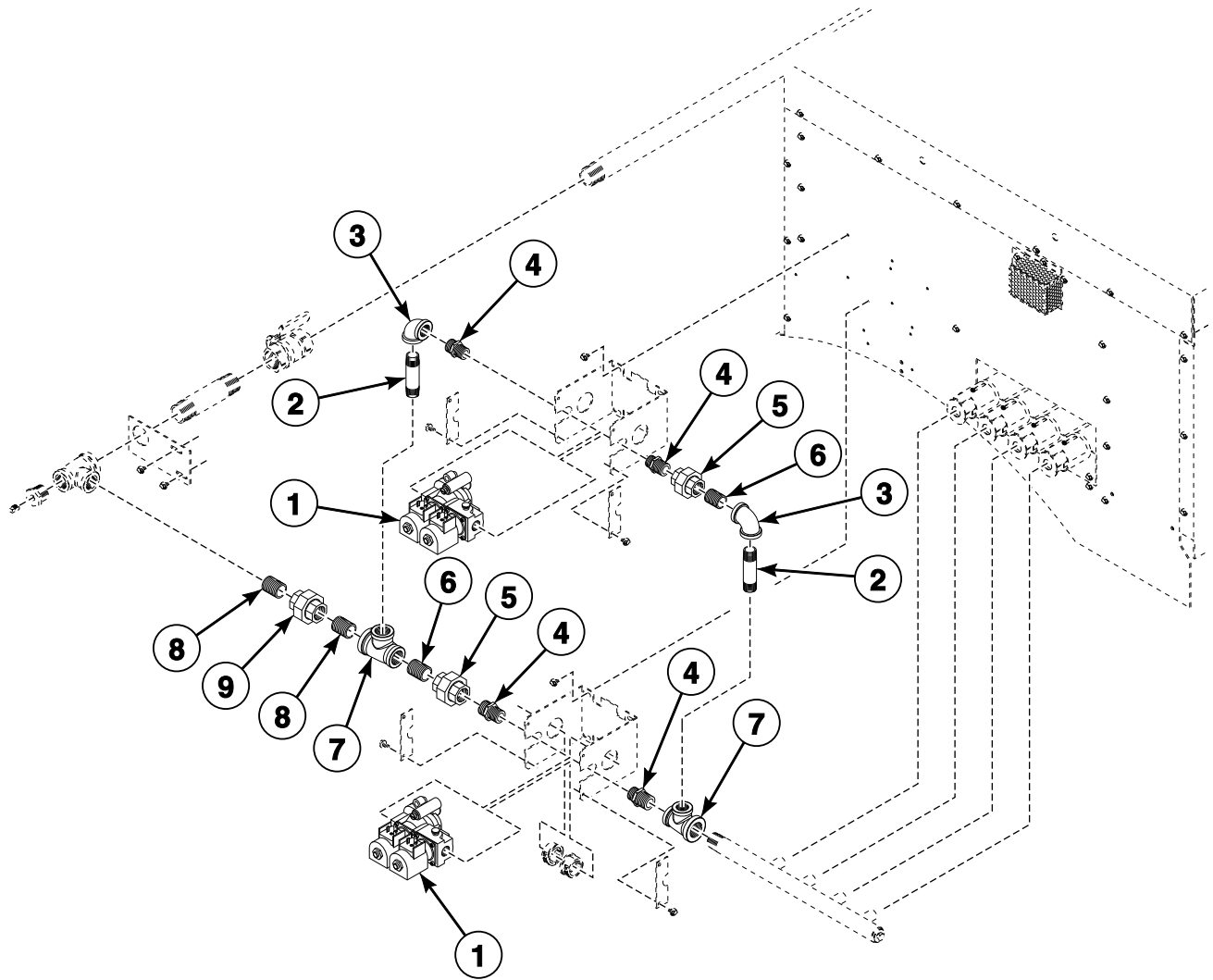
TMB2590P_70399801

Gas Heater Components - CE 170 Pound Models (Drawing 1 of 2)

REF	PART NO.	DESCRIPTION	COMMENTS
	M414296	Heater Assembly	Includes items 1-28; Natural Gas (N.G.)
	M414297	Heater Assembly	Includes items 1-28; Liquid Petroleum Gas (L.P.)
1	M413021	Bushing	
2	N/A	Reducing Tee	
3	M412954	Pipe Bracket	2 required
4	M413023	Pipe Nipple	
5	M413017	Ball Valve	
6	N/A	Gas Inlet Pipe	
7	44087801	Pipe Cap	
8	430497	Screw	34 required
9	M414477	Thermostat Cover	
10	431078	Stove Limit Harness Bracket	
11	M413989	Manual Reset Thermostat	
12	N/A	Burner Shutter	3 required
13	M413099	Burner Opening Cover	
14	M406934P	Spark Igniter	
15	56693	Screw	2 required
16	M411061	ICM Return Lead	
17	M413041	Stove Limit Harness Assembly	
18	44061602P	High Temperature Ignition Lead	
19	44117801	Gas Valve Harness	
20	44115301	Stove Limit Bypass Jumper	
21	M411736	Spud Holder	
22	44117901	Pipe Keeper Bracket	4 required
23	M402542	Snap Bushing	2 required
24	N/A	Pipe Plug	
25	44117501	Gas Valve Bracket	2 required
26	M411505	Stove Gasket	2.66 feet required
	M411506	Stove Partition Gasket	
27	M412016	Stove Assembly	
28	M412025P	Burner	3 required

N/A = Part no longer available

Gas Heater Components - CE 170 Pound Models (Drawing 2 of 2)



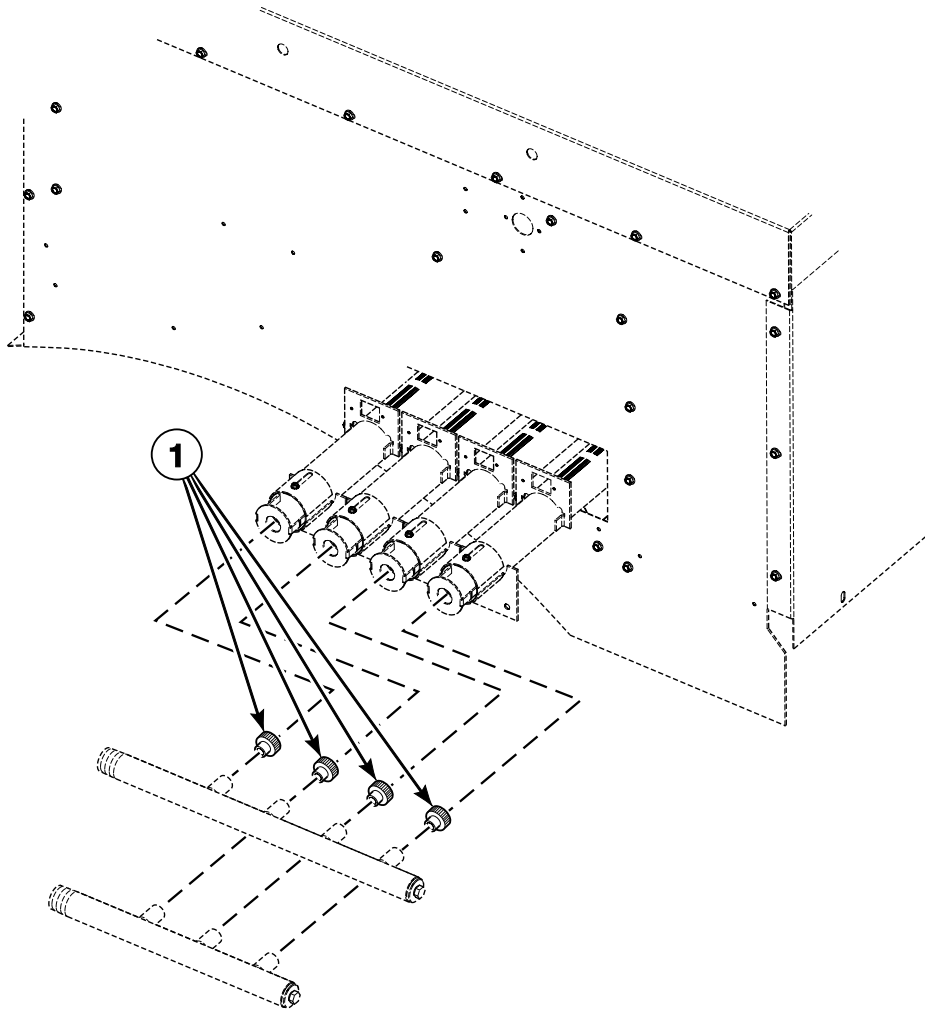
TMB2381P_70399801

Gas Heater Components - CE 170 Pound Models (Drawing 2 of 2)

REF	PART NO.	DESCRIPTION	COMMENTS
	M4900P3	N.G. Kit	Use to repair gas valve
	M4901P3	L.P. Kit	Use to repair gas valve
	60517	Valve Converted Label	Goes on gas valve after valve has been converted from one type of gas to another
1	M413332P	Gas Valve	Natural Gas (N.G.); 2 required
	M4909P3	Valve Replacement Kit	Liquid Petroleum Gas (L.P.); 2 required
2	901403	Pipe Nipple	2 required
3	70079601	Elbow	2 required
4	70131901	Adapter	4 required
5	H86000031	Union	2 required
6	431486	Pipe Nipple	2 required
7	44117401	Reducing Tee	2 required
8	N/A	Nipple	2 required
9	M411419	Pipe Union	2 required

N/A = Part no longer available

Burner Orifices

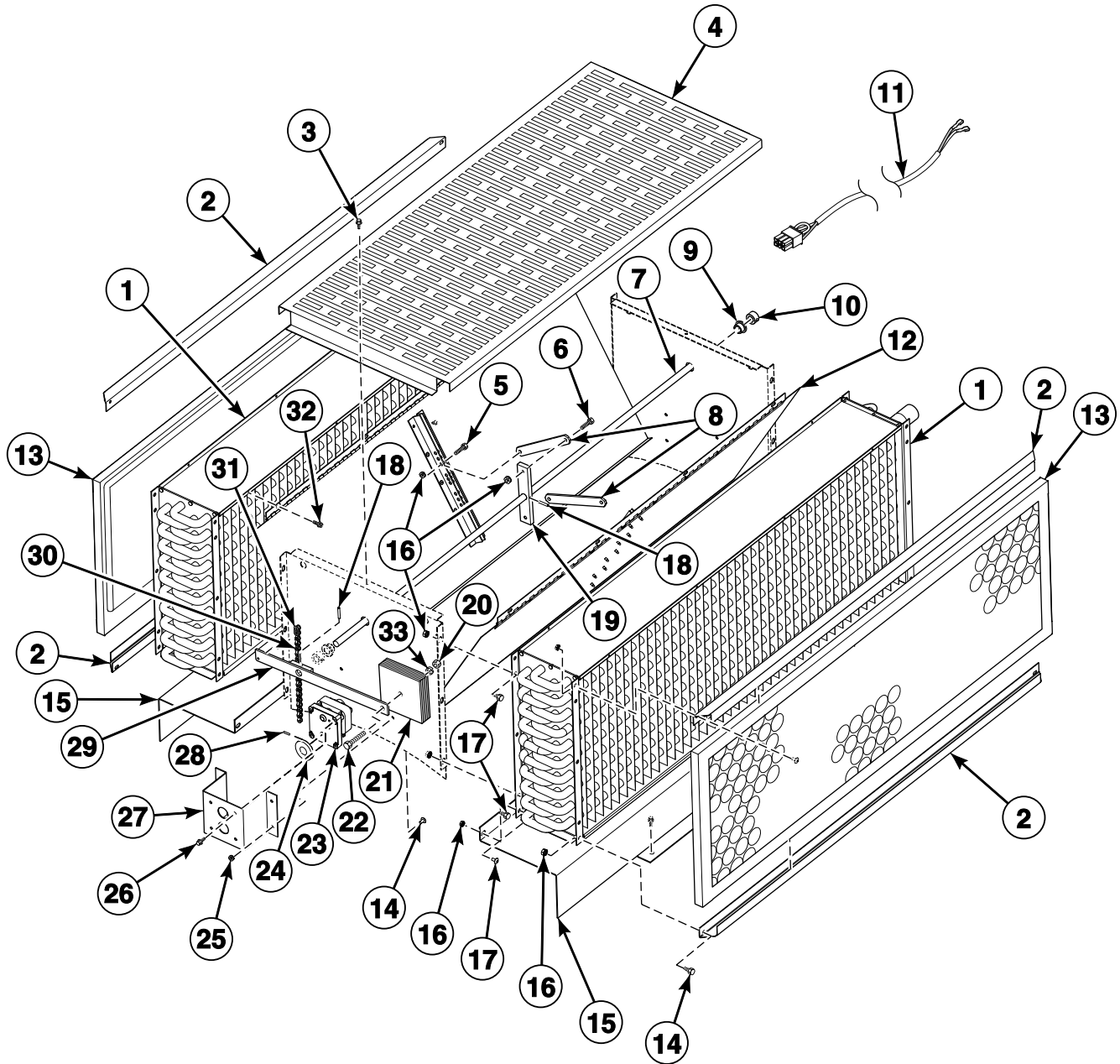


TMB2528P_70399801

Burner Orifices

REF	PART NO.	DESCRIPTION	COMMENTS
1	M411372	Burner Orifice	Natural Gas (N.G.); 0-2,000 feet; Drill no. 12 (4.8 mm); 3 required for 120 pound models; 4 required for 170 pound models
	M411371	Burner Orifice	N.G.; 2,001-4,000 feet; Drill no. 14 (4.6 mm); 3 required for 120 pound models; 4 required for 170 pound models
	M411373	Burner Orifice	N.G.; 4,001-6,000 feet; Drill no. 16 (4.5 mm); 3 required for 120 pound models; 4 required for 170 pound models
	M411374	Burner Orifice	N.G.; 6,001-8,000 feet; Drill no. 17 (4.4 mm); 3 required for 120 pound models; 4 required for 170 pound models
	M402995	Burner Orifice	N.G.; 8,001-10,000 feet; Drill no. 19 (4.2 mm); 3 required for 120 pound models; 4 required for 170 pound models
	M401022	Burner Orifice	Liquid Petroleum Gas (L.P.); 0-2,000 feet; Drill no. 33 (2.9 mm); 120 pound models; 3 required
	M402487	Burner Orifice	L.P.; 2,001-4,000 feet; Drill no. 35 (2.8 mm); 120 pound models; 3 required
	M411375	Burner Orifice	L.P.; 4,001-6,000 feet; Drill no. 36 (2.7 mm); 120 pound models; 3 required
	M411376	Burner Orifice	L.P.; 6,001-8,000 feet; Drill no. 38 (2.6 mm); 120 pound models; 3 required
	M406361	Burner Orifice	L.P.; 8,001-10,000 feet; Drill no. 40 (2.5 mm); 120 pound models; 3 required
	M400997	Burner Orifice	L.P.; 0-2,000 feet; Drill no. 29 (3.4 mm); 170 pound models; 4 required
	M401021	Burner Orifice	L.P.; 2,001-6,000 feet; Drill no. 30 (3.3 mm); 170 pound models; 4 required
	M401017	Burner Orifice	L.P.; 6,001-10,000 feet; Drill no. 31 (3.0 mm); 170 pound models; 4 required

Steam Heater Components - 120 Pound Models Through Serial No. 0412012320 Except C, D, I and L Models



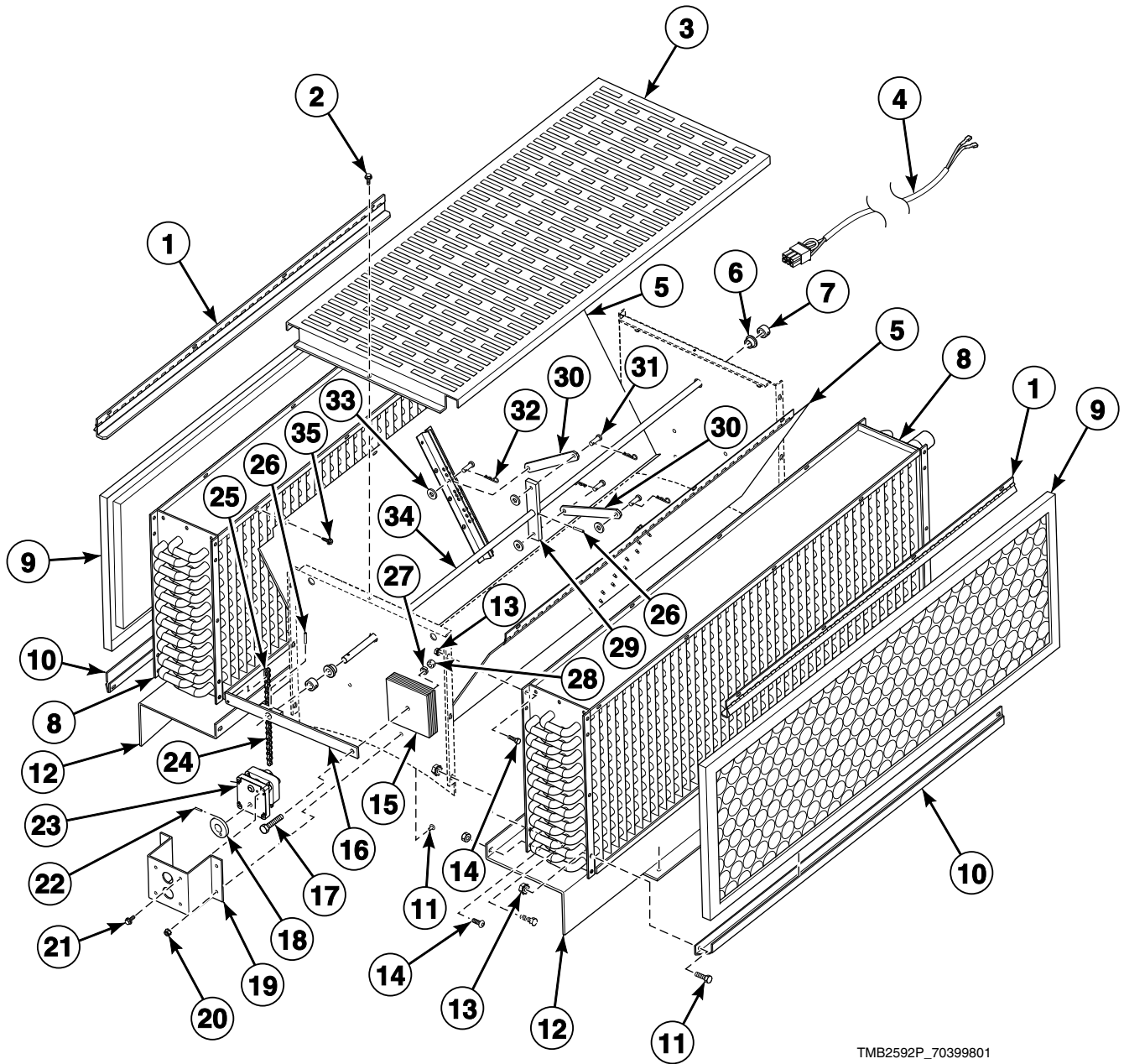
TMB2591P_70399801

Steam Heater Components - 120 Pound Models Through Serial No. 0412012320 Except C, D, I and L Models

REF	PART NO.	DESCRIPTION	COMMENTS
	M414458	Steam Heater Assembly	60 Hertz; Includes items 1-33
	M414482	Steam Heater Assembly	50 Hertz; Includes items 1-33
1	H96382023P	Steam Coil	2 required
2	H96388087	Filter Channel	4 required
3	M405188	Screw	2 required
4	44018401	Steam Cover	
5	N/A	Screw	2 required
6	20253	Screw	2 required
7	H96388079	Damper Shaft	
8	N/A	Damper Link	2 required
9	M414459	Bushing	2 required
10	M414451	Shaft Collar	2 required
11	M413086	Damper Motor Harness Assembly	
12	H96387519	Damper	2 required
13	44172201	Filter	2 required; CE models
	H96382106	Steam Coil Filter	2 required; All other models
14	801019	Screw	2 required per filter channel; 4 required per hamper motor bracket
15	M411550	Steam Coil Support	2 required
16	29786	Nut	
17	02422	Screw	
18	H88970256	Roll Pin	2 required
19	N/A	Damper Actuator	
20	70142	Nut	
21	M413331	Damper Counterweight	6 required
22	H88010574	Screw	
23	M412905P	Damper Motor	50 Hertz
	M413592P	Damper Motor	60 Hertz
24	H96388178	Drive Wheel	Damper
25	23951	Nut	2 required per filter channel; 4 required per damper motor bracket
26	61199	Screw	4 required
27	H96388145	Motor Bracket	
28	H88900683	Spring Pin	Damper
29	H96387501	Actuator Arm Assembly	Counterweight
30	H96388186	Drive Chain	
31	H96382072P	Master Link	2 required
32	501086	Screw	8 required
33	M400013	Washer	

N/A = Part no longer available

Steam Heater Components - 120 Pound Models Starting Serial No. 0412012321 Except C, D, and I Models



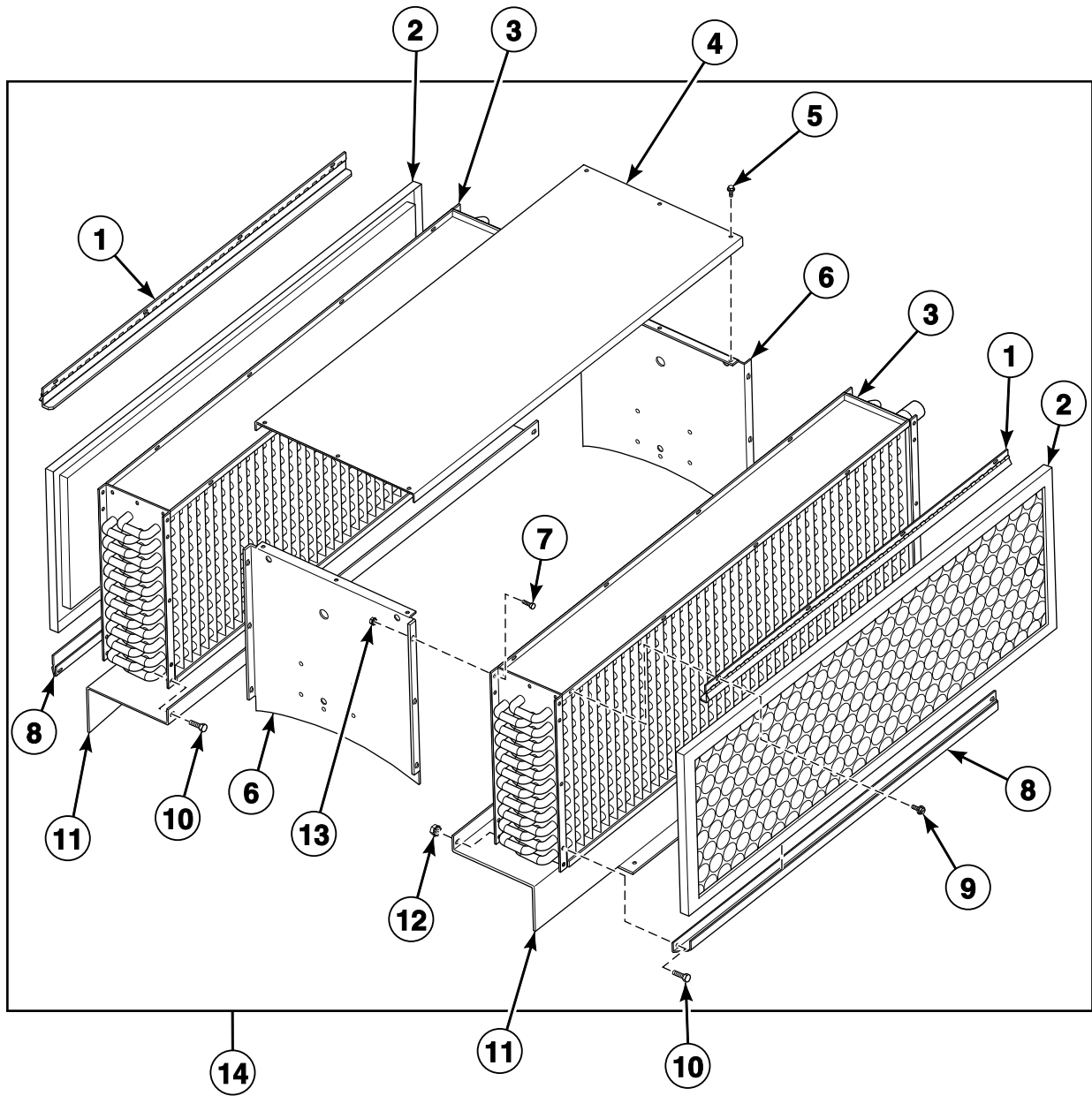
TMB2592P_70399801

Steam Heater Components - 120 Pound Models Starting Serial No. 0412012321 Except C, D, and I Models

REF	PART NO.	DESCRIPTION	COMMENTS
	M414458	Steam Heater Assembly	60 Hertz; Includes items 1-35
	M414482	Steam Heater Assembly	50 Hertz; Includes items 1-35
	M414534	Damper Bracket	Thermal oil models; 4 required
1	44088101	Steam Filter Top Hinge Assembly	2 required
2	M405188	Screw	
3	44115101	Steam Cover	
4	M413086	Damper Motor Harness Assembly	
5	H96387519	Damper	2 required; Use M405750 Pop Rivet
6	M414459	Bushing	2 required
7	M414451	Shaft Collar	2 required
8	H96382023P	Steam Coil	All models except thermal oil models; 2 required; 902303 Steam Pressure Label by inlet connection
9	44172201	Filter	2 required; CE models
	H96382106	Steam Coil Filter	2 required; All other models
10	H96388087	Filter Channel	2 required; Upper
11	801019	Screw	2 required
12	M411550	Steam Coil Support	3 required
13	29786	Nut	3 required
14	02422	Screw	3 required
15	M413331	Damper Counterweight	6 required
16	H96387501	Actuator Arm Assembly	
17	H88010574	Screw	
18	H96388178	Drive Wheel	Damper
19	H96388145	Motor Bracket	
20	23951	Nut	3 required
21	61199	Screw	
22	H88900683	Spring Pin	Damper
23	M413592P	Damper Motor	
24	H96388186	Drive Chain	
25	H96382072P	Master Link	2 required
26	H88970256	Roll Pin	2 required
27	M400013	Washer	
28	70142	Nut	
29	44096401	Steam Damper Actuator	
30	N/A	Damper Link	2 required
31	44091501	Clevis Pin	4 required
32	44091601	Hairpin Cotter	4 required
33	800465	Washer	4 required
34	H96388079	Damper Shaft	
35	501086	Screw	

N/A = Part no longer available

Steam Heater Components - 120 Pound C, D and I Models

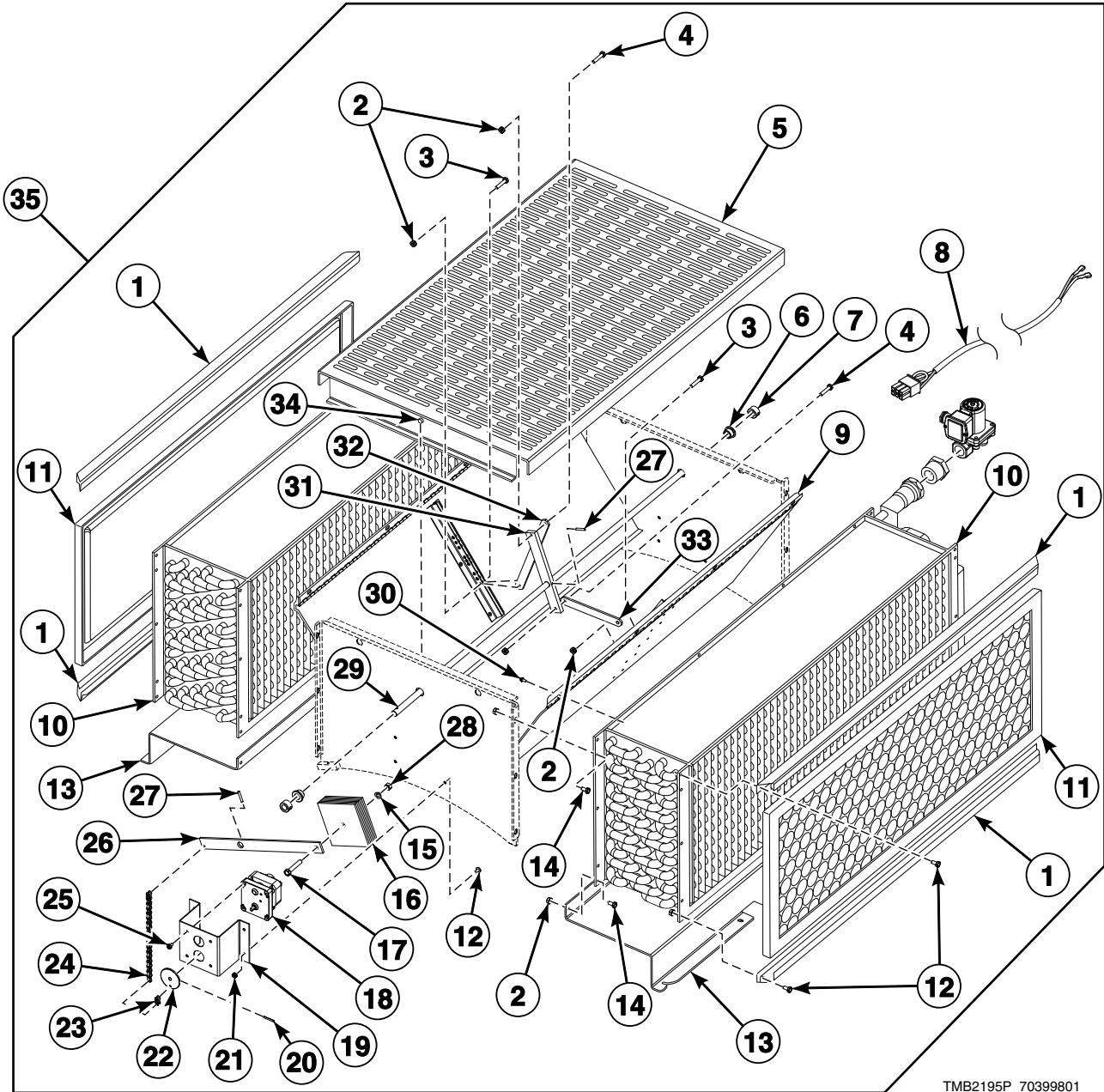


TMB2394P_70399801

Steam Heater Components - 120 Pound C, D and I Models

REF	PART NO.	DESCRIPTION	COMMENTS
	M414534	Damper Bracket	Thermal oil models; 4 required
1	44088101	Steam Filter Top Hinge Assembly	2 required
2	44172201	Filter	2 required; CE models
	H96382106	Steam Coil Filter	2 required; All other models
3	H96382023P	Steam Coil	All models except thermal oil models; 2 required; 902303 Steam Pressure Label by inlet connection
4	44114501	Steam Cover	
5	430497	Screw	6 required
6	44114901	Steam Coil Housing End	2 required
7	02422	Screw	16 required
8	H96388087	Filter Channel	2 required; Upper
9	501086	Screw	8 required
10	801019	Screw	4 required
11	M411550	Steam Coil Support	2 required
12	23951	Nut	4 required
13	29786	Nut	16 required
14	44114701P	Steam Heater Assembly	Includes items 1-13

Steam Heater Components - 170 Pound Models Through Serial No. 0412012320 Except C, D, I and L Models



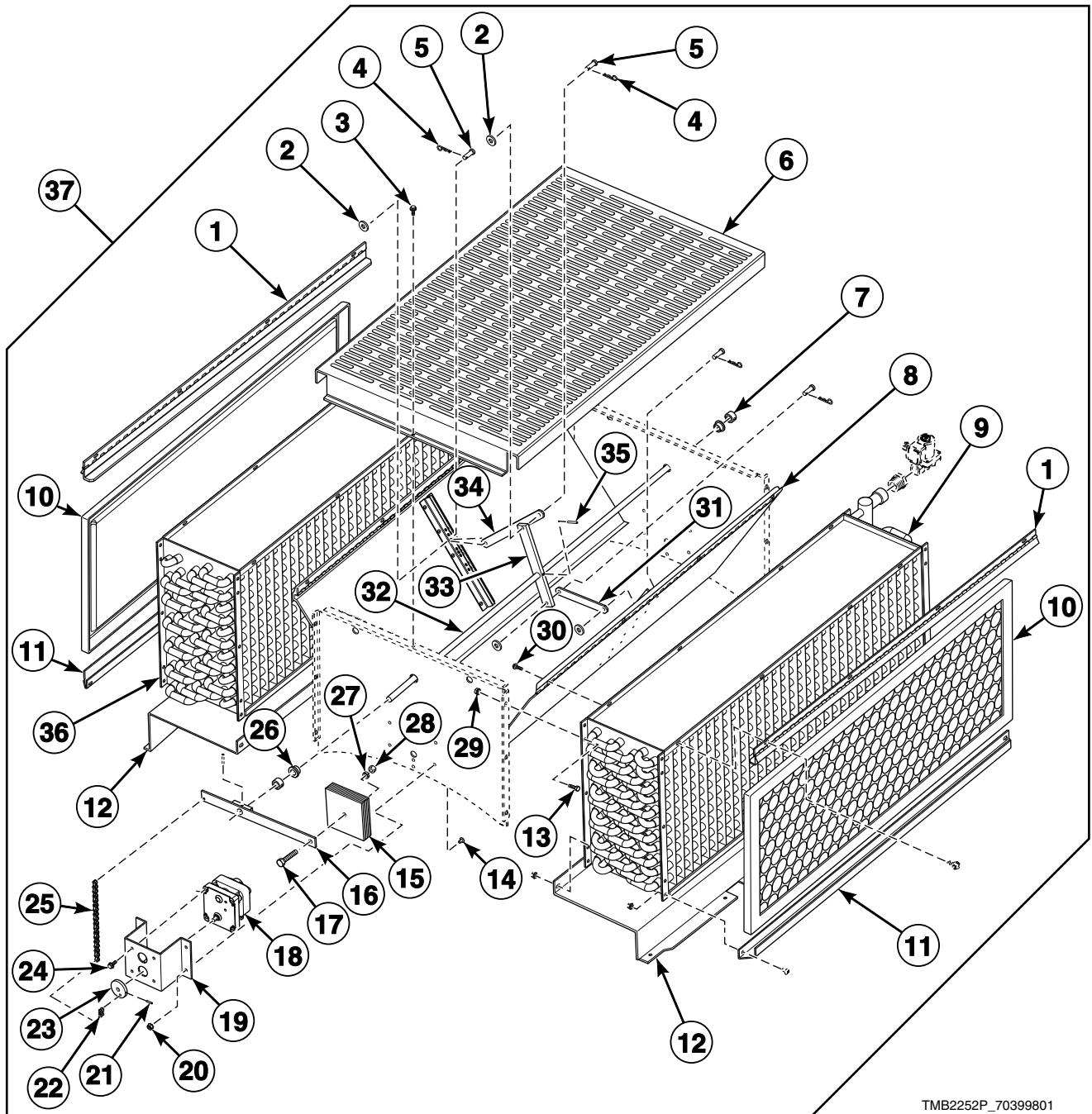
TMB2195P_70399801

Steam Heater Components - 170 Pound Models Through Serial No. 0412012320 Except C, D, I and L Models

REF	PART NO.	DESCRIPTION	COMMENTS
1	44045101	Filter Channel	2 required
	44088101	Steam Filter Top Hinge Assembly	
2	29786	Nut	18 required
3	N/A	Screw	2 required
4	20253	Screw	2 required
5	44018501	Steam Coil Housing Cover	
6	M414459	Bushing	2 required
7	M414451	Shaft Collar	2 required
8	M413086	Damper Motor Harness Assembly	
9	H96367685	Damper Assembly	2 required
10	M409833P	Steam Coil	Left
	M409834P	Steam Coil	Right
11	44172101	Filter	2 required; CE models
	H96362264	Coil Filter	2 required; All other models
12	801019	Screw	2 required per filter channel; 4 required per damper motor bracket
13	M412201	Steam Coil Support	2 required
14	02422	Screw	14 required
15	M400013	Washer	
16	M413331	Damper Counterweight	7 required
17	H88010574	Screw	
18	M412905P	Damper Motor	50 Hertz
	M413592P	Damper Motor	60 Hertz
19	H96388145	Motor Bracket	
20	H88900683	Spring Pin	Damper motor wheel
21	23951	Nut	2 required per filter channel; 4 required per damper motor bracket
22	H96388178	Drive Wheel	Damper
23	H96382072P	Master Link	2 required
24	H96388186	Drive Chain	
25	61199	Screw	4 required
26	H96387501	Actuator Arm Assembly	
27	H88970256	Roll Pin	2 required
28	70142	Nut	
29	N/A	Damper Shaft	
30	501086	Screw	8 required
31	N/A	Actuator	
32	N/A	Damper Link	Left; 8.12
33	N/A	Damper Link	Right; 5.56
34	M405188	Screw	2 required
35	M414490	Steam Heater Assembly	60 Hertz; Includes items 1-34
	M414485	Steam Heater Assembly	50 Hertz; Includes items 1-34

N/A = Part no longer available

Steam Heater Components - 170 Pound Models Starting Serial No. 0412012321 Except C, D and I Models



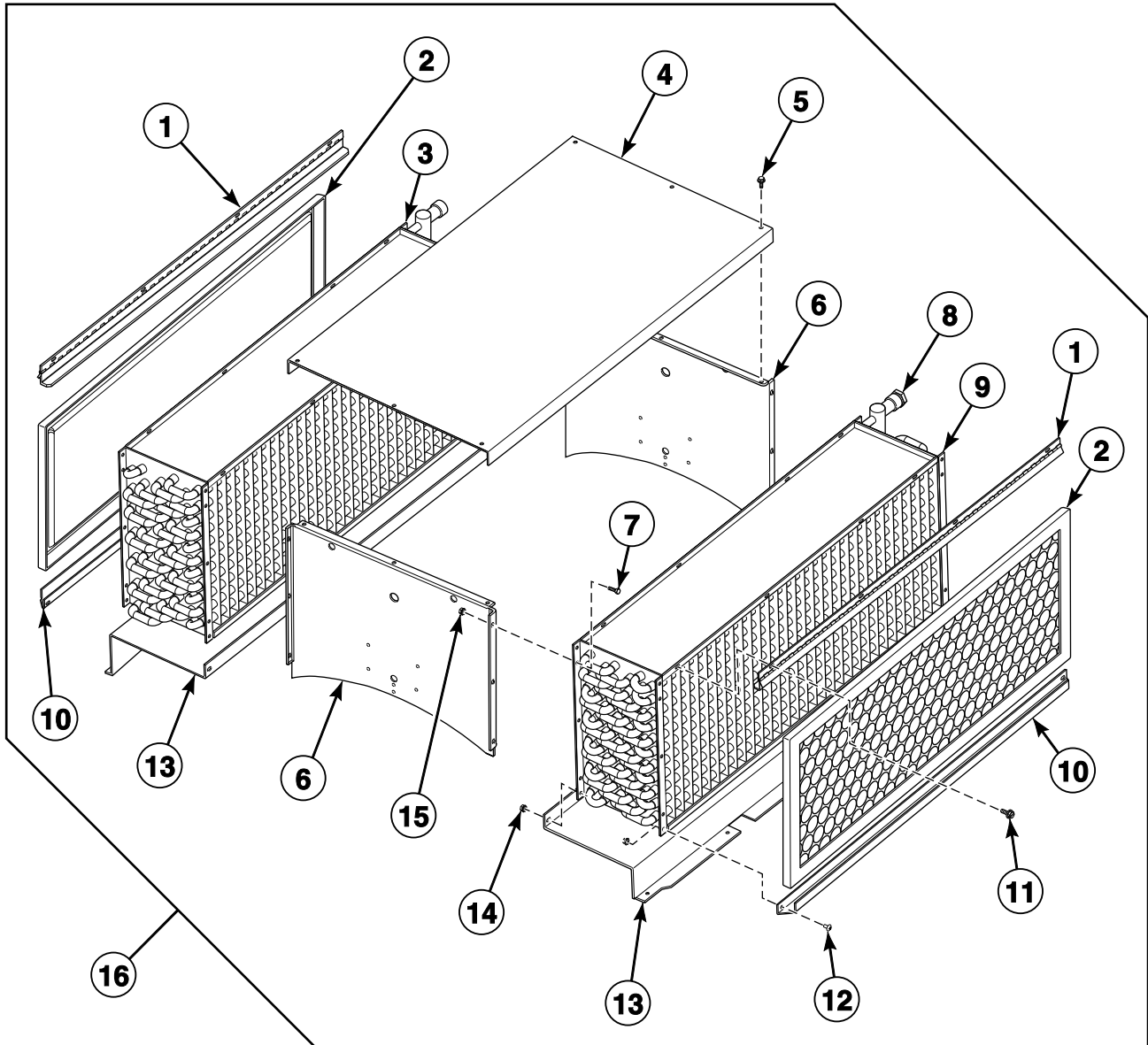
TMB2252P_70399801

Steam Heater Components - 170 Pound Models Starting Serial No. 0412012321 Except C, D and I Models

REF	PART NO.	DESCRIPTION	COMMENTS
	M414801	Damper Bracket	Thermal oil models; 4 required
1	44088101	Steam Filter Top Hinge Assembly	2 required
2	800465	Washer	4 required
3	M405188	Screw	2 required
4	44091601	Hairpin Cotter	4 required
5	44091501	Clevis Pin	4 required
6	44018501	Steam Coil Housing Cover	
	44115201	Steam Cover	
7	M414451	Shaft Collar	2 required
8	H96367685	Damper Assembly	2 required
9	M409834P	Steam Coil	All models except thermal oil models; Right; 902303 Steam Pressure Label by inlet connection
10	44172101	Filter	2 required; CE models
	H96362264	Coil Filter	2 required; All other models
11	44045101	Filter Channel	2 required
	44088101	Steam Filter Top Hinge Assembly	
12	M412201	Steam Coil Support	2 required
13	02422	Screw	14 required
14	801019	Screw	8 required
15	M413331	Damper Counterweight	7 required
16	H96387501	Actuator Arm Assembly	
17	H88010574	Screw	
18	M413592P	Damper Motor	
19	H96388145	Motor Bracket	
20	23951	Nut	12 required
21	H88900683	Spring Pin	
22	H96382072P	Master Link	2 required
23	H96388178	Drive Wheel	
24	61199	Screw	4 required
25	H96388186	Drive Chain	
26	M414459	Bushing	2 required
27	M400013	Washer	
28	70142	Nut	
29	29786	Nut	14 required
30	501086	Screw	16 required
31	N/A	Damper Link	Right
32	N/A	Damper Shaft	
33	44096501	Steam Damper Actuator	
34	N/A	Damper Link	
35	H88970256	Roll Pin	2 required
36	M409833P	Steam Coil	All models except thermal oil models; Left; 902303 Steam Pressure Label by inlet connection
37	M414490	Steam Heater Assembly	60 Hertz; Includes items 1-36
	M414485	Steam Heater Assembly	50 Hertz; Includes items 1-36

N/A = Part no longer available

Steam Heater Components - 170 Pound C, D and I Models



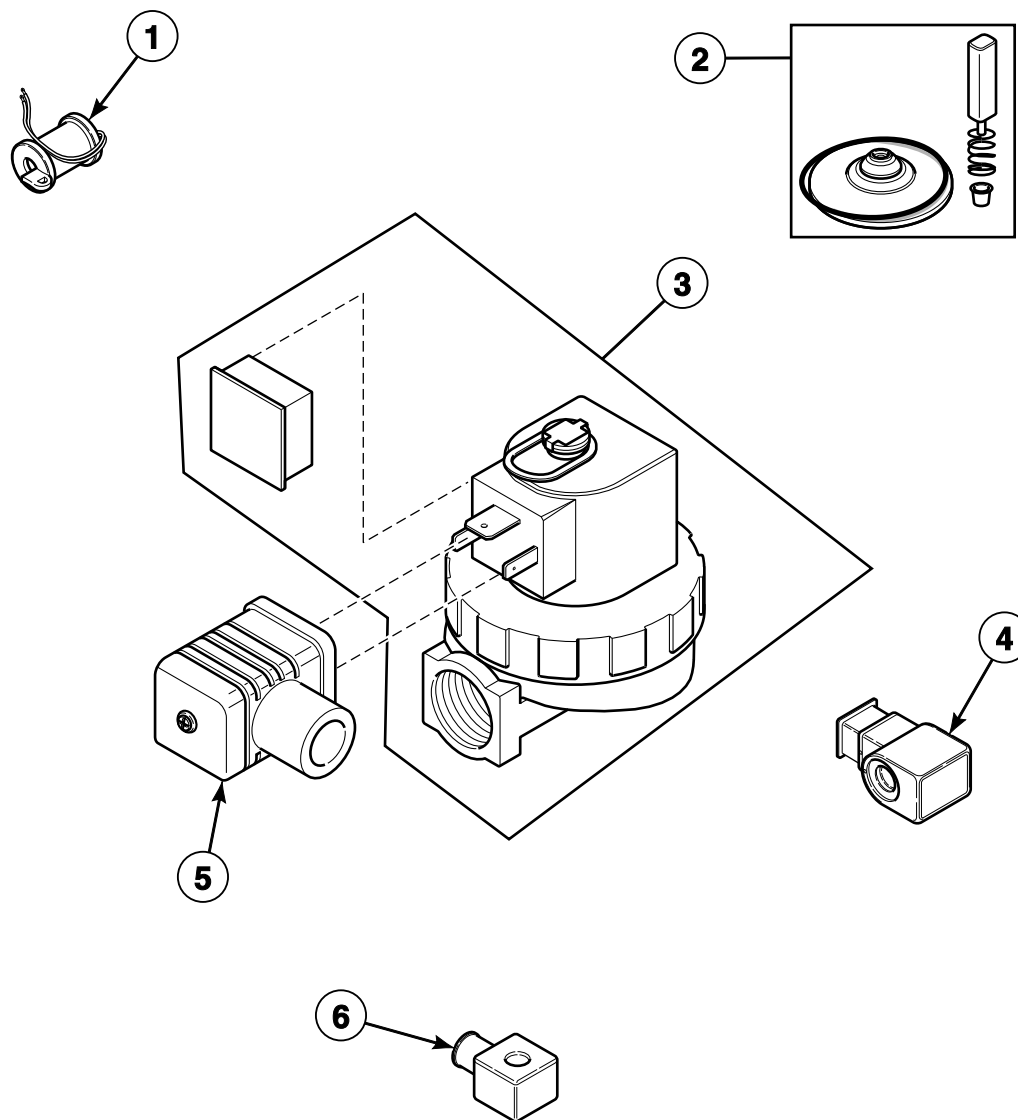
TMB2395P_70399801

Steam Heater Components - 170 Pound C, D and I Models

REF	PART NO.	DESCRIPTION	COMMENTS
	M414801	Damper Bracket	Thermal oil models; 4 required
1	44088101	Steam Filter Top Hinge Assembly	2 required
2	44172101	Filter	2 required; CE models
	H96362264	Coil Filter	2 required; All other models
3	M409833P	Steam Coil	All models except thermal oil models; Left; 902303 Steam Pressure Label by inlet connection
4	44114601	Steam Cover	
5	430497	Screw	6 required
6	44115001	Steam Coil Housing End	2 required
7	02422	Screw	16 required
8	M409844	Bushing	2 required
9	M409834P	Steam Coil	All models except thermal oil models; Right; 902303 Steam Pressure Label by inlet connection
10	44045101	Filter Channel	2 required
11	501086	Screw	8 required
12	801019	Screw	4 required
13	M412201	Steam Coil Support	2 required
14	23951	Nut	4 required
15	29786	Nut	16 required
16	44114801	Steam Heater Assembly	Includes items 1-15

Steam Solenoid Valve

All Steam Models Except Thermal Oil Models

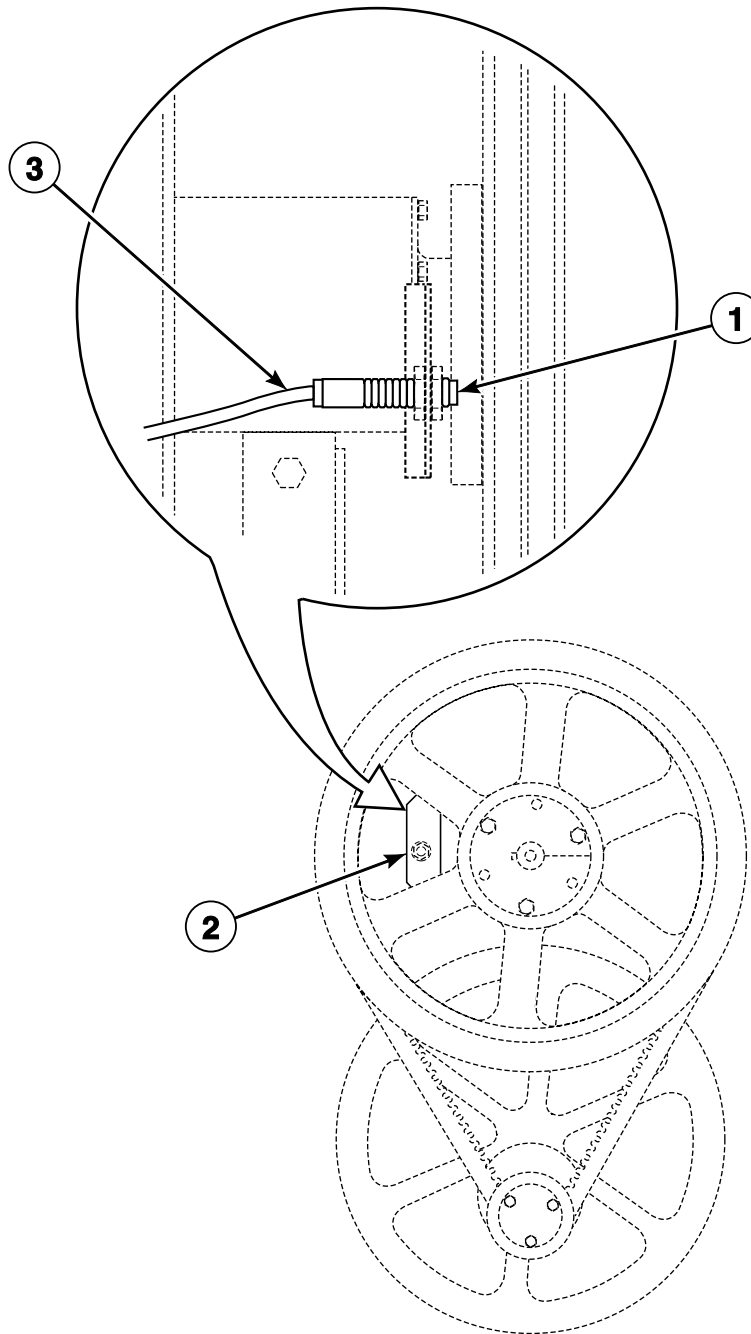


TMB2593P_70399801

Steam Solenoid Valve

REF	PART NO.	DESCRIPTION	COMMENTS
1	M412258	Steam Valve Coil	120 pound models; Used with 70351002P Steam Valve
2	M412259	Steam Valve Rebuild Kit	Models through 7/10/05
	70351021P	Steam Valve Rebuild Kit	Models starting 7/11/05
3	70351001P	Steam Valve	60 Hertz
	F8322903	Steam Valve	50 Hertz
4	70351012	Steam Solenoid	170 pound models; 50 Hertz; Used with 70351002P Steam Valve
5	70370301P	Solenoid Valve DIN Connector	
6	70351011P	Steam Solenoid	170 pound models; 60 Hertz; Used with 70351001P Steam Valve

Rotation Sensor - C, D and I Models



TMB2009P_70399801

Rotation Sensor - C, D and I Models

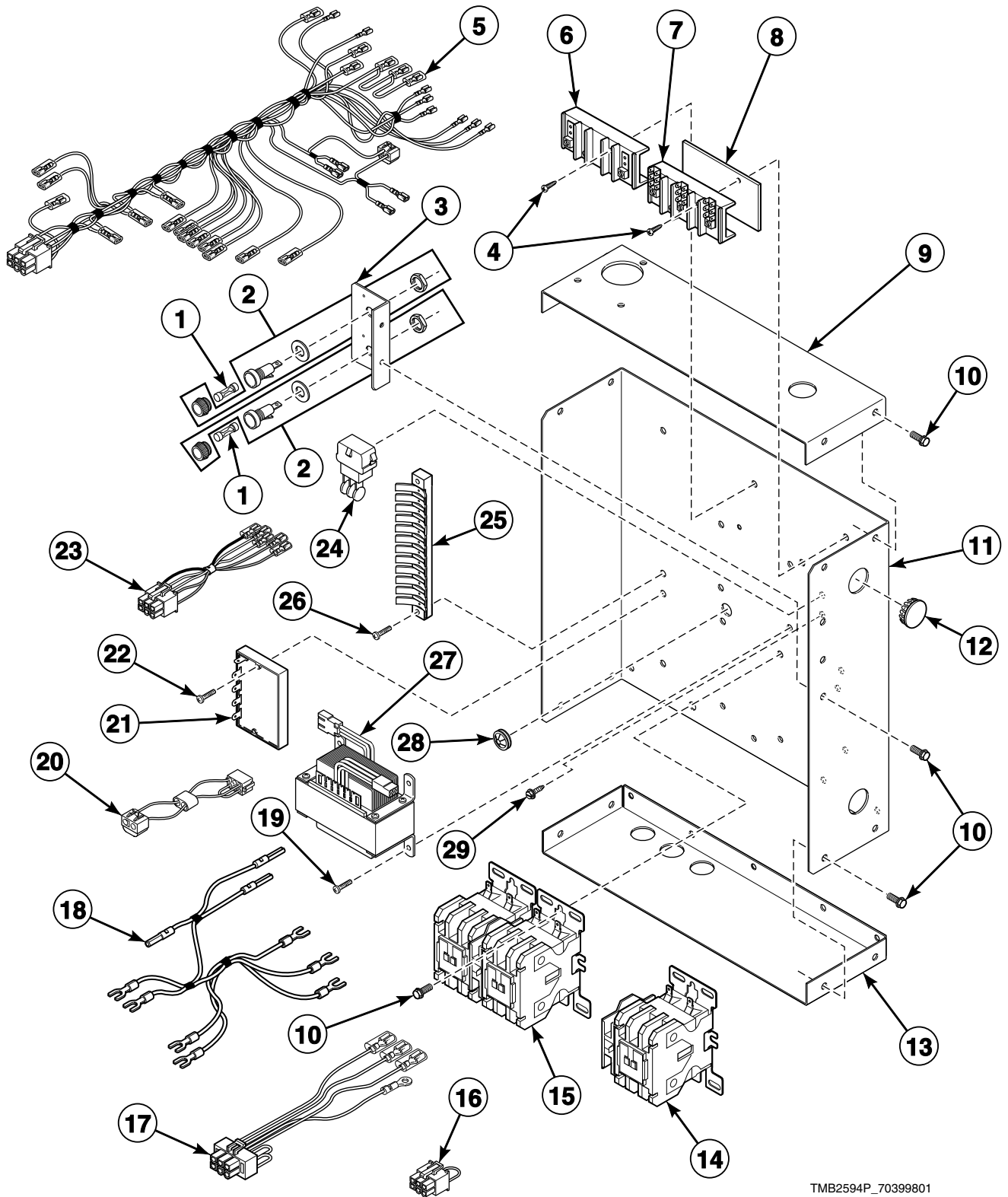
REF	PART NO.	DESCRIPTION	COMMENTS
1	7010P	Rotation Sensor Kit	Includes plug; D models through 10/21/07; C and I models
	70417401P	Rotation Sensor Assembly	Includes plug; D models; Models starting 10/22/07
2	44111101	Rotation Sensor Bracket	
3	70274102P	Rotation Sensor Cable Assembly	Includes connector

Contactor Box Assembly (Drawing 1 of 2)

Non-CE Models

Models with R3, RD, RM, RQ, and RT Control Suffixes;

200 Volt/50 Hertz/3 Phase; 200-208/240 Volt/60 Hertz/3 Phase; 230-240 Volt/50 Hertz/3 Phase



TMB2594P_70399801

Contactor Box Assembly (Drawing 1 of 2)

REF	PART NO.	DESCRIPTION	COMMENTS
	M413760	Contactora Box Cover	
	44127701	Warning Label	Extended tumble; On contactora box cover
	M414276	Mount Bracket	Use to mount item 11 to machine
1	M413118	Fuse	2 required; 250 Volt; 2 Amp
2	91024P	Fuse Receptacle	2 required; 250 Volt
3	M413575	Fuse Holder Bracket	
4	800930	Screw	6 required
5	M413684P	Contactora Box Harness Assembly	Reversing; 3 Phase
6	M405364	Terminal Block	2 pole
7	430642	Terminal Block	3 pole
8	M413862	Insulator	
9	M413757	Contactora Box End	Top
10	51780	Screw	21 required
11	44028401	Contactora Box Wrapper	
12	M400985	Plug	2 required; Snap in plug
13	M413758	Contactora Box End	Bottom
14	M413614P	Fan Contactora	24 Volt; 3 pole
15	M413615P	Reversing Contactora	Cylinder drive
16	M413168	Bypass Harness Assembly	R3, RD, RM and RQ control suffixes
17	M413878	Network Capacitor Harness Assembly	R3, RD and RM control suffixes
18	M413624	Reversing Contactora Jumper Assembly	Upper; 3 Phase
19	M400044	Screw	4 required; Use with 4 of 23951 Nut to attach item 27
20	M413506	Jumper Harness Assembly	200-208 Volt
	M413507	Jumper Configuration Assembly	230-240 Volt
21	M412081	Reversing Timer	RT control suffix
22	N/A	Screw	2 required; RT control suffix
23	44008001	Reversing Timer Harness	RT control suffix
24	M413863	Network Capacitor Assembly	R3, RD and RM control suffixes
25	M413542	Terminal Strip	12 circuit
26	51778	Screw	2 required
27	M414228P	Transformer	Multitap
28	M411537	Bushing	
29	M402917	Screw	Ground

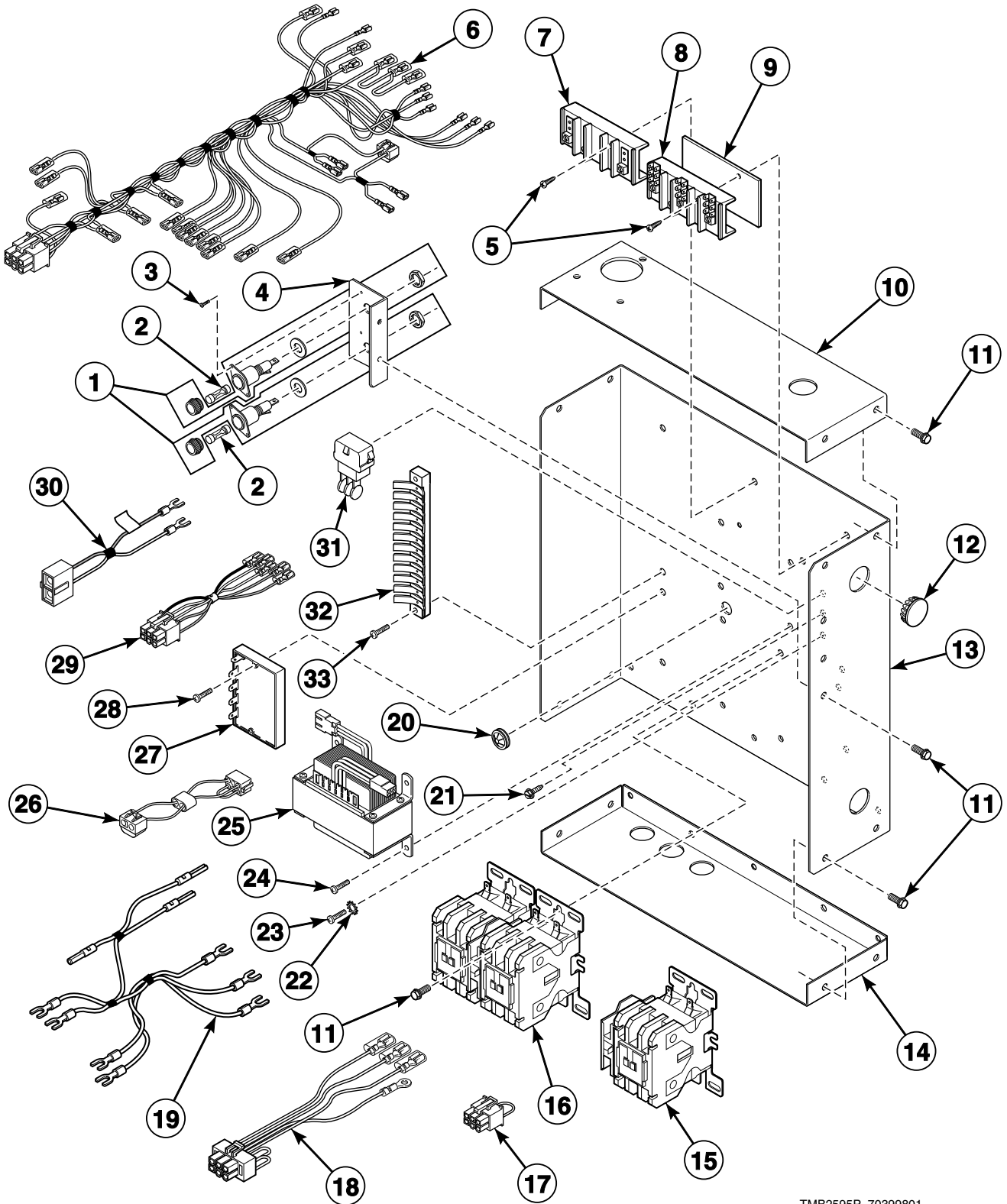
N/A = Part no longer available

Contactor Box Assembly (Drawing 2 of 2)

Non-CE Models

Models with R3, RD, RM, RQ and RT Control Suffixes;

380/400-415 Volt/50 Hertz/3 Phase; 440-480 Volt/60 Hertz/3 Phase



TMB2595P_70399801

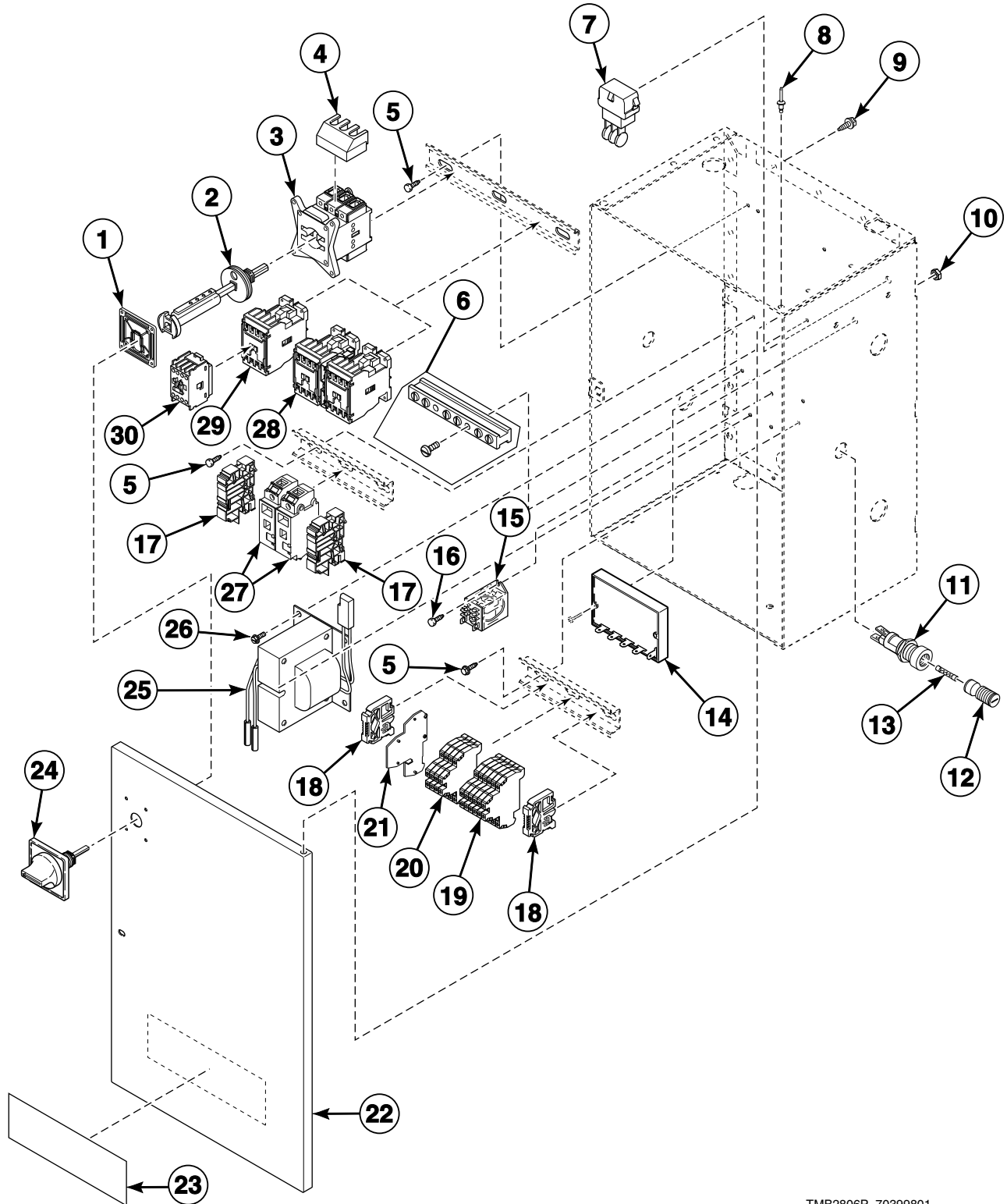
Contactor Box Assembly (Drawing 2 of 2)

REF	PART NO.	DESCRIPTION	COMMENTS
	M413760	Contactora Box Cover	
	44127701	Warning Label	Extended tumble; On contactora box cover
	M414276	Mount Bracket	Use to mount item 13 to machine
1	M413544P	Fuse Holder	2 required
2	M413621	Fuse	2 required; 0.5 Amp; 500 Volt
3	501086	Screw	4 required
4	M413576	Fuse Holder Bracket	
5	800930	Screw	6 required
6	M413684P	Contactora Box Harness Assembly	Reversing; 3 Phase
7	M405364	Terminal Block	2 pole
8	430642	Terminal Block	3 pole
9	M413862	Insulator	
10	M413757	Contactora Box End	Top
11	51780	Screw	21 required
12	M400985	Plug	2 required
13	44028401	Contactora Box Wrapper	
14	M413758	Contactora Box End	Bottom
15	M413614P	Fan Contactora	24 Volt; 3 pole
16	M413615P	Reversing Contactora	
17	M413168	Bypass Harness Assembly	R3, RD, RM and RQ control suffixes
18	M413878	Network Capacitor Harness Assembly	R3, RD and RM control suffixes
19	M413624	Reversing Contactora Jumper Assembly	3 Phase; Upper
20	M411537	Bushing	
21	M402917	Screw	Ground
22	03815	Washer	2 required; Grounding
23	430497	Screw	R3, RD, RM and RQ control suffixes
24	M400044	Screw	4 required; Use with 4 of 23951 Nut to attach item 25
25	M414229P	Transformer	380, 400-415 and 460-480 Volt; Multitap
	44074401	Transformer	440 Volt; Dual; Secondary
26	M413508	Jumper Harness Assembly	380, 400-415 Volt/50 Hertz/3 Phase
	M413510	Jumper Configuration Assembly	460-480 Volt/60 Hertz/3 Phase
	M413509	Jumper Harness Assembly	415 Volt
27	M412081	Reversing Timer	24 Volt; RT control suffix
28	N/A	Screw	2 required; RT control suffix
29	44008001	Reversing Timer Harness	RT control suffix
30	44111401	Emergency Stop Harness	R3 control suffix
31	M413863	Network Capacitor Assembly	R3, RD and RM control suffixes
32	M413542	Terminal Strip	12 circuit
33	51778	Screw	2 required

N/A = Part no longer available

Junction Box Assembly

CE Models
Models with R3, RD, RM, RQ and RT Control Suffixes;
380, 400-415 Volt/50 Hertz/3 Phase



TMB2806P_70399801

Junction Box Assembly

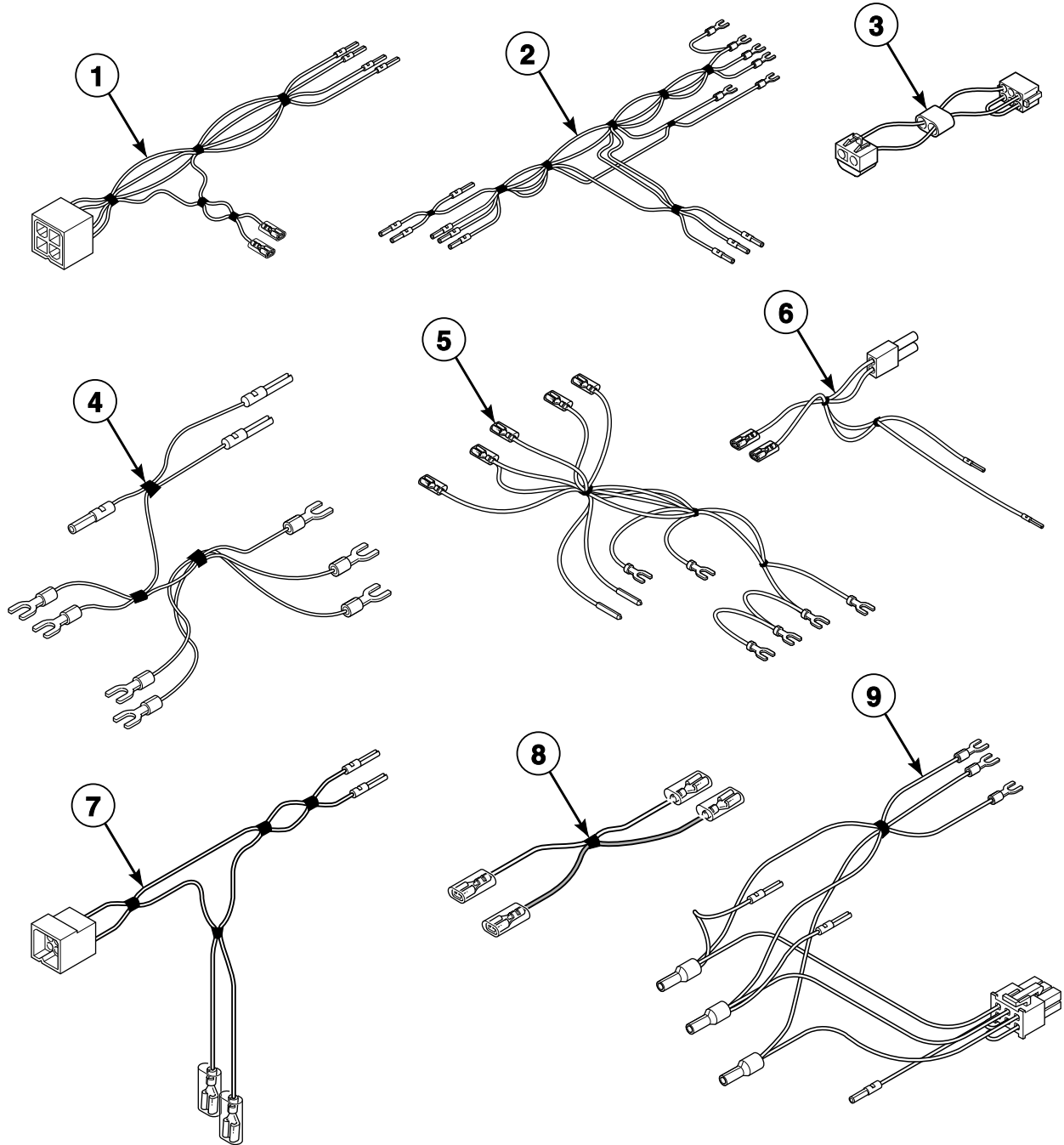
REF	PART NO.	DESCRIPTION	COMMENTS
1	M412368	Door Interlock	
2	M412370	Extension Handle	20 Amp
3	M412187P	Mounting Switch Base	20 Amp
4	M412366	Finger Guard	20 Amp
5	51780	Screw	6 required
6	M412656	Ground Buss Assembly	Includes 2 screws
7	M413863	Network Capacitor Assembly	R3, RD and RM control suffixes
8	M400713	Drive Rivet	2 required; To secure cover to junction box
9	430497	Screw	18 required; To secure junction box to backplane
10	M412688	Nut	2 required
11	502591P	Fuse Holder Kit	Includes nut
12	502811	Fuse Carrier	
13	502592	Fuse	RT control suffix
	M413889	Fuse	R3, RD, RM and RQ control suffixes
14	M412081	Reversing Timer	RT control suffix; Use 2 of Q6516 Screw and 2 of 02788 Nut to attach
15	M412534	Relay	24 Volt; 2 required for RT control suffix
16	501086	Screw	2 required for R3, RD and RM control suffixes; 3 required for RT control suffix
	M400071	Screw	2 required; RQ control suffix
17	M412615	End Stop	2 required; High voltage
18	70121001	End Stop	2 required
19	M412631	Terminal Block	6 required; Gray; 2 circuit
20	M412632	Terminal Block	4 required; Blue; 1 circuit
21	M412633	End Barrier	
22	M412650	Junction Box Cover	
23	44127701	Warning Label	Extended tumble
24	M412208	Handle	
25	M414229P	Transformer	Multitap; R3, RD and RM control suffixes
	M412412P	Transformer	RQ and RT control suffixes
26	801019	Screw	4 required; R3, RD and RM control suffixes; Use with 4 of 23951 Nut to attach item 25
	33562	Screw	4 required; RQ and RT control suffixes; Use with 4 of 23951 Nut to attach item 25
27	M412538	Terminal Block	2 required; Use 2 of M413621 Fuse for RM and RT control suffixes; Use M412996 Fuse for RQ control suffix
28	M412405P	Reversing Contactor	Cylinder drive motor
29	N/A	Auxiliary Contact Block	RT control suffix
30	70323701P	Contactor	Fan

N/A = Part no longer available

Junction Box Harnesses

CE Models

Models with R3, RD, RM, RQ and RT Control Suffixes;
380, 400-415 Volt/50 Hertz/3 Phase



TMB2596P_70399801

Junction Box Harnesses

REF	PART NO.	DESCRIPTION	COMMENTS
1	M414028	Transformer Harness Assembly	Primary; R3, RD, RM and RT control suffixes
	M414029	Transformer Harness Assembly	RT control suffix; Secondary
2	M414224	Relay Harness Assembly	R3, RD, RM and RQ control suffixes
3	M413508	Jumper Harness Assembly	380 Volt
	M413509	Jumper Harness Assembly	415 Volt
4	M412928	Reversing Jumper Harness Assembly	2 required; Upper
	M412929	Reversing Jumper Harness Assembly	Lower
	M414034	Reversing Contactor Harness Assembly	R3, RD, RM and RQ control suffixes
5	N/A	Reversing Timer Harness Assembly	RT control suffix
6	M412641	Transformer Harness Assembly	RQ control suffix
7	44030501	Transformer Harness	HU, PU, SU, UU and XU models; RT control suffix; Secondary
8	44042801	Jumper Set Assembly	R3 and RD control suffixes
9	M414077	Jumper Wire	R3, RD and RM control suffixes

N/A = Part no longer available

Parts Index

A

Access Panel	
44012601*	37
44012602	37
44012702P	37
Access Panel Trim	
70399403	37
70399404	37
Actuator Arm Assembly	
H96387501	81, 83, 87, 89
Adapter	
70131901	77
Adjustable Buzzer	
505447	23, 27
Airflow Switch Bracket	
430370	69
Airflow Switch Harness Assembly	
M413042P	69
Airflow Switch Vane	
430372	69

B

Ball Bearing	
H87672374	55
M401375P	65
M414367	55
44104801	59
Ball Bearing Insert	
H8768212H	59
Ball Valve	
M413016	71
M413017	73, 75
Base Bracket	
H96428693	57, 61, 67
Bearing Mounting	
H96428008	53
Bearing Mounting Flangette	
H8768302H	59
Bearing Retainer	
M401370	65
Belt	
H8753170H	61
H87532685	65
H87533014	55
Belt Adjustment Tube	
H96428487	55
Belt Guard	
M411222	47
M411223P	47
M414491P	47
M414492P	47
Belt Guard Cover	
M414284	49
Belt Set	
H87533816P	55
Blower Cover	
H96358007	59, 63

M414237	65
Blower Motor Base Kit	
H608P3	59, 61, 63
Blower Shaft	
M412000	59
Bolt	
H8830143H	51
44017901	43
Burner	
M412025P	71, 73, 75
M414243	71
Burner Opening Cover	
M413099	75
Burner Orifice	
M400997	79
M401017	79
M401021	79
M401022	79
M402487	79
M402995	79
M406361	79
M411371	79
M411372	79
M411373	79
M411374	79
M411375	79
M411376	79
Bushing	
H87529111P	57, 61, 63
H87529129P	57
H8752922HP	65
H8752985HP	55
M409844	91
M411537	23, 25, 45, 47, 49, 97, 99
M412917P	59, 65
M412995P	67
M413021	73, 75
M414459	81, 83, 87, 89
70346501	35
Buzzer Kit	
M4860P3	19
Bypass Harness Assembly	
M413168	97, 99

C

Cabinet Limit Harness	
44022701	59, 63, 67
44108101P	59, 63, 67
Cabinet Limit Harness Assembly	
M414261	59, 67
Cable Tie	
M405829	47
Calibration Jumper	
70084104P	13
Cam and Hinge Kit	
M4772P3	39, 41
Circuit Board Support	
34896	15
501523	33

N/A items do not appear in index.

Clevis Pin			
44091501	83, 89	44040112	27
Clip		44111701W	17
M400976	49	44111701*	29
M400984	47, 49	44111702	29
Coil Filter		44111703W	17
H96362264	87, 89, 91	44111703*	29
Connector		44111704	29
M403862	63	44111705W	17
Contact Block		44111705*	29
44018701	31	44111706	29
44018901	31	Control Harness	
Contact Block Switch		44080201P	33
F200233401	31	44100101P	19
Contact Switch		44101101P	19
F8069501	31	44157501P	33
Contacto		Control Kit	
70323701P	101	70228401P	17
Contacto		Control Mounting Bracket	
Box Cover		44012801*	15, 17
M413760	97, 99	44040201*	27
Contacto		44040202	27
Box End		44099501W	17, 21
M413757	97, 99	44099502	21
M413758	97, 99	Control Panel Harness	
Contacto		44019301	17
Box Harness Assembly		44019401	13
M413684P	97, 99	44027201	17
Contacto		44027301	13
Box Wrapper		44054001P	27
44028401	97, 99	44058201P	29
Control		44100401	25
44063801P	33	44100501	25
Control Assembly		44111201P	29
512202P	25	44111501P	27
Control Box		Control Plate and Studs Assembly	
44047201	23, 25	44099201	19
44047401	23, 25	Control Plate Assembly	
Control Box Base		44029501	13
44065301	33	44029601	17
Control Box Cover		44038601	29
44047301	23, 25	44041101	27
44065201	33	Control Trim	
Control Box Harness		44016401	15, 17, 21
44019901	23	44016402	15, 17, 21
44027001P	23	Conversion Kit	
44101001	25	M4577P3	71
44102101P	25	Cotter Pin	
44111601P	27	02470	69
Control Box Housing		Cylinder and Trunnion Assembly	
44065101	33	44054701	51
Control Box Top		44054702	51
44065401	33	44054801	51
Control Bracket		44054802	51
44099301	25	Cylinder Assembly	
Control Cover		H96367545	51
44013301*	15	H96427513	51
44013302	15	M409788	51
44013303*	15	M409826	51
44013304	15	Cylinder Motor Harness Assembly	
44013305*	15	M413110	57
44013306	15, 17		
44013307*	17, 21		
44013309*	17, 21		
44040107*	27		
44040108	27		
44040109*	27		
44040110	27		
44040111*	27		
		D	
		Damper	
		H96387519	81, 83

N/A items do not appear in index.

Damper Assembly	
H96367685	87, 89
M409967	59, 63
Damper Bracket	
M414534	83, 85
M414801	89, 91
Damper Counterweight	
M413331	81, 83, 87, 89
Damper Motor	
M412905P	81, 87
M413592P	81, 83, 87, 89
Damper Motor Harness Assembly	
M413086	81, 83, 87
Damper Rod	
M413401	49
Damper Shaft	
H96388079	81, 83
Damper Vane	
M413402	49
Display Assembly	
512218P	19
Door Assembly	
44028902P	39
44058102P	39
44112101	41
70407401	39
Door Glass	
44008401P	39, 41
44008402P	39
Door Glass Installation Tool	
M4221P4	39, 41
Door Handle	
M400133	39
44007901	39
44057702	39
44111901	41
Door Hinge	
44075207B	39
70115902	41
Door Hinge Assembly	
44075201*	39
44075202	39
Door Hinge Cam Assembly	
44035102	39
Door Hinge Lug Assembly	
44035001	35, 39, 41
44035002	39
Door Interlock	
M412368	101
Door Latch	
M401223	35
Door Ring	
44007703	39
Door Ring and Handle Assembly	
44112001	41
Door Ring Gasket	
44008201P	39, 41
Door Seal Kit	
70211902P	39, 41
Door Switch	
44018201	35
Door Switch Cover	
44001301	35

Door Switch Harness	
44019601P	35
Door Switch Wire Channel	
44001801	35
44001802	35
Drive Chain	
H96388186	81, 83, 87, 89
Drive Rivet	
M400713	15, 17, 21, 33, 101
Drive Wheel	
H96388178	81, 83, 87, 89

E

Elbow	
70079601	77
Electronic Control	
44037801P	27
44051001P	29
Emergency Stop Button Kit	
F200233700P	31
Emergency Stop Harness	
44030301	17, 21
44030302	15
44111401	29, 99
Emergency Stop Label	
M412235	31
44012901	15, 17, 21
Emergency Stop Pushbutton	
F200233500	15, 17, 21, 31
Emergency Stop Reset Harness	
44029401	15
44030201	17, 21
Emergency Stop Switch Harness Assembly	
70083901	31
End Barrier	
M412633	101
End Stop	
M412615	101
70121001	101
Expansion Clip	
70030501	13, 17, 19
Extension Handle	
M412370	101

F

Fan	
H96368469	65
Fan and Bushing Assembly	
M414546	59, 63
Fan Bearing Bracket	
M414235	65
Fan Bearing Conversion Kit	
M4680P3	65
Fan Contactor	
M413614P	97, 99
Fan Motor	
44046401P	61
44046501P	67
Fan Motor Harness	
44022401	61

N/A items do not appear in index.

Fan Motor Harness Assembly	
M413111	61
Felt Pad	
M402144	47
Filter	
44172101	87, 89, 91
44172201	81, 83, 85
Filter Channel	
H96388087	81, 83, 85
44045101	87, 89, 91
Finger Guard	
M412366	101
Fire Suppression System Label	
44128901	35
Flange Bearing	
44048301P	53
Front Access Panel	
44012607*P	37
44012608	37
44012701*P	37
44012707*P	37
44012708	37
Front Panel	
44012401W	35
44012402	35
44012502P	35
Front Panel Assembly	
44078101*P	35
Front Panel Baffle Seal	
70017301	47
Front Panel Harness Assembly	
44063201P	31
Fuse	
M413118	97
M413621	99
M413623	23
M413889	23, 25, 101
M414232	25
502592	101
Fuse Carrier	
502811	23, 25, 101
Fuse Holder	
M413544P	99
Fuse Holder Bracket	
M413575	97
M413576	99
Fuse Holder Kit	
502591P	23, 25, 101
Fuse Receptacle	
91024P	23, 25, 97

G

Gas Pipe	
M411265	71
Gas Valve	
M413332P	77
M413470P	71, 73
44166701	71, 73
44166702	71, 73
Gas Valve Bracket	
M411259	71, 73
M413019	71
44117501	75

N/A items do not appear in index.

Gas Valve Coil	
44042901P	71
Gas Valve Flange Gasket	
M412158	71
Gas Valve Harness	
44117801	75
44166901	73
Gas Valve Kit	
M4883P3	71, 73
M4951P3	71, 73
M4952P3	71, 73
Graphic Overlay	
44050401	29
Ground Buss Assembly	
M412656	101

H

Hairpin Cotter	
44091601	83, 89
Handle	
M412208	101
Handle and Caps Assembly	
44049901	43
44049902	43
44049903	43
44049904	43
Handle Bar	
70399501B	39
Handle Bumper	
70407203	43
70407204	43
Harness Strap	
55881	35
Heater Assembly	
M414296	75
M414297	75
High Temperature Ignition Lead	
44061602P	71, 73, 75
44061605P	71, 73
Hose	
44073302	33
44073303	33
Hose Clamp	
36801	33
Hose Fitting	
44069101	33

I

ICM Return Lead	
M411061	23, 25, 71, 73, 75
Idler Housing	
M412612	65
Idler Housing Assembly	
M412630	65
Idler Shaft	
M414241	65
Ignition Control	
70367301P	23, 25
70367401P	23, 25

Ignition Control Harness Assembly	
M413534P	23, 25
Indicator Light	
70082201	13, 15
Instant Electronic Ignition Control	
M410904P	23, 25
Insulation	
M411592	71
M411593	47, 49
Insulator	
M413862	97, 99

J

Jackshaft Assembly	
H96357751	55
Jumper Calibration Wire	
70324605	19
Jumper Configuration Assembly	
M413507	97
M413510	99
Jumper Harness Assembly	
M413506	97
M413508	99, 103
M413509	99, 103
Jumper Set Assembly	
44042801	103
Jumper Wire	
M414077	103
Junction Box Cover	
M412650	101

K

Key	
H8752006H	57, 59
M400993	65
M401327	65
70155601	33
Kickplate	
70117609	43
70117610	43
70117611	43
70117612	43
Knob	
M410927	13
44020501	13

L

Lever Arm Switch	
44021701	69
Light	
801432	33
Limit Thermostat	
M411403	59, 63, 65
M411946	59, 65
Lint Panel	
44012201WP	43
44012202	43
44012301WP	43

44012302P	43
Lint Panel Clip	
44017801	43
Lint Panel Switch Bracket	
44013401	45
Lint Panel Switch Cover	
44026801	45
Lint Panel Switch Harness	
44019701P	45
Lint Screen	
44063602	47
44063603P	49
44077702P	47
44077703P	49
Lint Screen Clip	
H96418413	47
Loading Spring	
M400401	65
Lock, Key and Nut Kit	
44089301P	33
L.P. Conversion Kit	
M4592P3	73
L.P. Gas Conversion Kit	
M4973P3	71
M4974P3	73
L.P. Kit	
M4901P3	77

M

Main Harness	
44019501	23, 25
44027101	23, 25
Male Tab Terminal	
00177	27
Manual Reset Thermostat	
M413989	73, 75
Master Link	
H96382072P	81, 83, 87, 89
Membrane Switch	
M414368P	17
44037901P	27
Mixing Valve	
36958P	33
Motor	
44046301P	63
44046601P	67
44052901P	57
44053001P	57
Motor Adjustment Tube	
H96428628	61
Motor Base	
M413171	57, 61, 67
Motor Bracket	
H96388145	81, 83, 87, 89
Mount Bracket	
M414276	97, 99
Mounting Bracket	
70080701	13
Mounting Insulation	
H96418728	69
Mounting Switch Base	
M412187P	101

N/A items do not appear in index.

N

Nameplate	
44010401	37
44010601	37
44035801	37
70243901	37
70348501	37
70348601	37
Nameplate Overlay	
M412963	37
44104501	37
44130401	37
44130501	37
70128901	13, 37
70410201	37
Network Capacitor Assembly	
M413863	97, 99, 101
Network Capacitor Harness Assembly	
M413878	97, 99
Nipple	
H85101673	73
M411417	71, 73
Nut	
H88412093	55, 57, 61, 67
H88412101	51, 53, 55, 57, 61, 67
M400977	15, 17, 21, 37
M400979	69
M412334	51
M412688	101
M414215	39, 41
02788	35
20274	47, 53, 55, 57, 59, 61, 63, 67
23951	39, 41, 47, 49, 81, 83, 85, 87, 89, 91
24205	19
29786	35, 39, 41, 67, 81, 83, 85, 87, 89, 91
29787	19, 27, 29
44087101	43
70030401	35, 47
70054	13, 17, 19, 27, 39, 43, 47, 49, 59, 63
70142	57, 59, 61, 63, 67, 81, 83, 87, 89
N.G. Kit	
M4900P3	77

O

Overlay	
44130001	17
70114502	13
70128401	17
70128601	17
70130501	17
70130701	17
70135301	17
70362202	19
70362402	19
70362502	19

P

Panel Locator	
56079	19

Pipe Bracket	
M411498	71
M412954	75
Pipe Cap	
44087801	75
Pipe Keeper Bracket	
44117901	75
Pipe Nipple	
M411418	71
M413023	73, 75
431486	77
901403	77
Pipe Union	
M411419	71, 73, 77
Plug	
M400985	59, 97, 99
Pop Rivet	
430725	45
44166601	35
70126301	39, 43
70126401	43
Porcelain Touch-Up Paint	
122P4P	35
215P4P	35
370P4P	35
Pushbutton	
44018801	31
Pushbutton Switch	
M413431	15, 17, 21
70413301	45
Push-to-Start Switch	
801434W	33

R

Reducing Tee	
44117401	77
Relay	
M412534	15, 101
Relay Harness Assembly	
M414224	103
Relay/Buzzer Bracket	
44041701	27
Retaining Ring	
H88602263	55
H88603477	55
Reversing Contactor	
M412405P	101
M413615P	97, 99
Reversing Contactor Harness Assembly	
M414034	103
Reversing Contactor Jumper Assembly	
M413624	97, 99
Reversing Jumper Harness Assembly	
M412928	103
M412929	103
Reversing Timer	
M412081	97, 99, 101
Reversing Timer Harness	
44008001	97, 99
Rocker Switch	
M413270	13
44099601	19

N/A items do not appear in index.

70455101	19
70461301	19
Rod End	
44048501	55, 57, 61, 67
Roll Pin	
H88970256	81, 83, 87, 89
Roller Catch	
H87020202	43, 49
Roller Catch Mounting Bracket	
44014001	43
Rotation Sensor Assembly	
70417401P	95
Rotation Sensor Bracket	
44111101	95
Rotation Sensor Cable Assembly	
70274102P	27, 29, 95
Rotation Sensor Kit	
7010P	27, 29, 95

S

Screw

H88001565	55, 57, 61
H8800901H	59, 63
H88010038	67
H88010574	81, 83, 87, 89
H88012034	53
H88213996	53
M400043	47, 59, 61, 63, 65
M400044	39, 41, 49, 97, 99
M400056	57, 59, 61, 63, 67
M400063	55, 57
M400071	101
M400072	35
M400661	39, 41
M401938	69
M402574	35
M402797	15
M402917	97, 99
M405188	81, 83, 87, 89
M411072	47, 49
M411143	23, 25
M411165	53
M413528	67
02422	81, 83, 85, 87, 89, 91
20253	81, 87
22688	55, 57, 59, 61, 67
33562	101
430497	15, 21, 23, 25, 33, 45, 47, 49, 59, 63, 69, 71, 73, 75, 85, 91, 99, 101
430757	43
431287	35
44023301	35, 39, 41
44041301	13
44048901	59
44079301	59, 61
44161501	67
501086	43, 81, 83, 85, 87, 89, 91, 99, 101
501524	25
51778	97, 99
51780	23, 25, 33, 97, 99, 101
56693	71, 73, 75
61199	39, 41, 43, 47, 49, 59, 63, 81, 83, 87, 89
70033504	35, 39, 41
70118801	23, 25
70126201	39

70182601	35
70187202	65
70409801	39
800930	13, 15, 17, 19, 21, 97, 99
801019	81, 83, 85, 87, 89, 91, 101
Security Cover Kit	
M4795P3W	13, 15, 17, 19, 21
Sensor Cable Harness	
44016902P	47, 49
Sensor Harness Assembly	
44082701P	33
Sensor Wire	
M414287	23
Shaft Collar	
M414451	81, 83, 87, 89
Sheave	
H8752026H	55, 57
H87520284	59
H87520334	55, 57, 61
H87520466	55, 57
H8752060H	65, 67
H8752065H	65, 67
H8752251H	55
Snap Bushing	
M400770	23, 25
M402542	75
70178701	23, 25, 33
Solenoid Valve DIN Connector	
70370301P	93
Spacer	
M401402	51, 53
Spark Igniter	
M406934P	71, 73, 75
M410905P	71
Spray Paint	
286P4	35
297P4	35
298P4P	35
Spring Pin	
H88900683	81, 83, 87, 89
Spud Holder	
M411254	71
M411736	73, 75
Start Switch	
70108501	13
Steam Coil	
H96382023P	81, 83, 85
M409833P	87, 89, 91
M409834P	87, 89, 91
Steam Coil Filter	
H96382106	81, 83, 85
Steam Coil Housing Cover	
44018501	87, 89
Steam Coil Housing End	
44114901	85
44115001	91
Steam Coil Support	
M411550	81, 83, 85
M412201	87, 89, 91
Steam Cover	
44018401	81
44114501	85
44114601	91
44115101	83
44115201	89

N/A items do not appear in index.

Steam Damper Actuator	
44096401	83
44096501	89
Steam Filter Top Hinge Assembly	
44088101	83, 85, 87, 89, 91
Steam Heater Assembly	
M414458	81, 83
M414482	81, 83
M414485	87, 89
M414490	87, 89
44114701P	85
44114801	91
Steam Solenoid	
70351011P	93
70351012	93
Steam Valve	
F8322903	93
70351001P	93
Steam Valve Coil	
M412258	93
Steam Valve Rebuild Kit	
M412259	93
70351021P	93
Step Pulley and Bearing Kit	
M4696P3	55
Stove Assembly	
M411097	71
M412016	73, 75
Stove Gasket	
M411505	71, 73, 75
Stove Limit Bypass Jumper	
44115301	75
Stove Limit Harness Assembly	
M413041	73, 75
M413104P	71
Stove Limit Harness Bracket	
431078	71, 73, 75
Stove Limit Thermostat	
M411404	71, 73
431177	73
Stove Partition Gasket	
M411506	71, 73, 75
Street Elbow	
M411264	71
Switch Plate	
M413236	13, 19

T

Temperature Kit	
70475001P	13
Temperature Knob	
44104601	13, 19
Temperature Selector Switch	
511711	19
Temperature Selector Switch Bracket	
70391701	19
Terminal Block	
M405364	97, 99
M412538	101
M412631	101
M412632	101
430642	97, 99

Terminal Strip	
M413542	97, 99
Thermistor	
M414704	47, 49
44064701	47
Thermistor Bracket Assembly	
44051301	47, 49
Thermostat	
H8900530H	59, 63, 65
M413988	71, 73
Thermostat Cover	
M414477	71, 73, 75
Thermostat Module	
431347P	15
Timer	
M412079P	13
70131701P	13
70131801P	13
Timer Knob	
70082101	13
Top Access Panel Gusset	
44028201*	47
44028202*	47
44028301*	49
44028302*	49
Transformer	
M412412P	101
M414228P	97
M414229P	99, 101
44074401	99
Transformer Harness	
44030501	103
Transformer Harness Assembly	
M412641	103
M414028	103
M414029	103
Trunnion Assembly	
44054601	51
44055501	51

U

Union	
H86000031	77

V

Valve Converted Label	
60517	77
Valve Replacement Kit	
M4904P3	71
M4909P3	77
Vent Elbow	
H87494019	47
Vent Pipe	
M411185	47
M411187	47

N/A items do not appear in index.

W

Warning Label	
44127701	97, 99, 101
Washer	
M400013	57, 59, 61, 63, 67, 81, 83, 87, 89
M400014	55, 57, 59, 61, 63, 65, 67
M400080	57, 59, 61, 63, 65, 67
M400081	55, 59, 61
M405535	43
03815	13, 15, 17, 19, 21, 99
56552	59, 61, 63
70261401	51, 53, 55, 57, 61, 67
70409301	39
800465	35, 39, 41, 83, 89
91200	53
Water Hose	
F200116	33
